

## IBSP112 Series Flat Trim Recessed LED Downlight | Safety Glass, Honeycomb Louver Optional

### Key Features

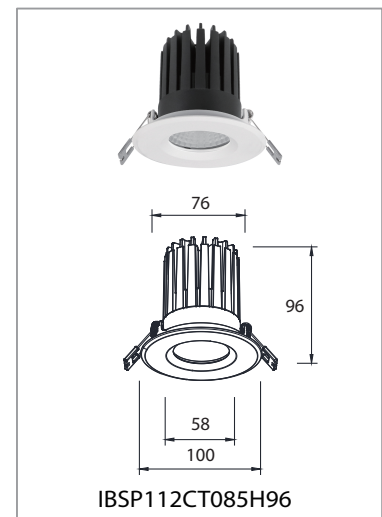
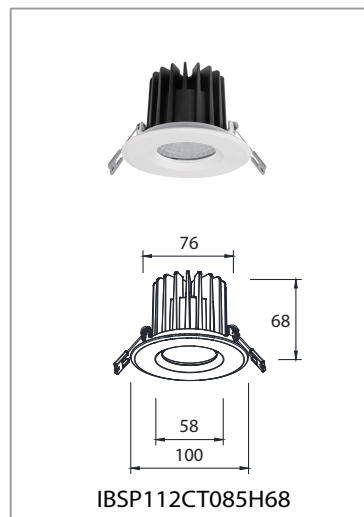
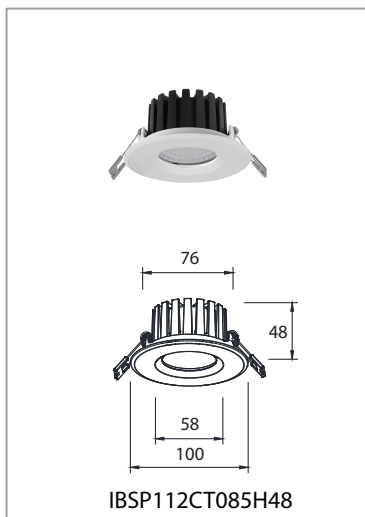
- **Precision Beam Control**  
Multiple beam angles: 15° / 24° / 38° / 45° / 60°, suitable for accent, task, and general lighting.
- **Compact Design**  
Only 48mm height, ideal for shallow ceiling installations and space-limited projects.
- **Enhanced Visual Comfort**  
Optional honeycomb louver effectively reduces glare for refined lighting effects.
- **High Protection Level**  
IP65 rating with safety glass, suitable for humid and demanding environments.
- **Reliable Thermal Construction**  
Die-cast aluminum housing with integrated heatsink for stable, long-term operation.



### Applications

Designed for:

- **Hospitality** : Guestrooms, suites, restaurants
- **Bathroom & SPA** : High IP65 protection makes it ideal for wet and humid environments.
- **Corridors & Circulation Areas** : Controlled beam angles for functional and aesthetic lighting.
- **High-End Residential** : Living spaces, kitchens
- **Accent & Display Lighting** : Perfect for highlighting artworks, textures, and architectural details.



## Measurement

Model	Dimension(mm)				Product Weight (Kg)		Package weight (Kg)		Carton Size(cm)	Qty/CTN
	A	B	C	D	N.W/PC	G.W/PC	N.W/CTN	G.W/CTN		
IBSP112CT085H48	100	48	76	58	/	/	/	/	/	/
IBSP112CT085H68	100	68	76	58	/	/	/	/	/	/
IBSP112CT085H96	100	96	76	58	/	/	/	/	/	/

## Technical Specifications

Model No.	IBSP112CT085H48	IBSP112CT085H68	IBSP112CT085H96
Size(mm)	Ø100*48	Ø100*68	Ø100*96
Cutout(mm)	Ø80-90	Ø80-90	Ø80-90
Watt(W)	10W	15W	25W
Luminous Flux (lm) @4000K	1000	1500	2500
Light Source	COB LED		
LED Brand	Bridgelux / Cree (standard) / Hongli (optional)		
SDCM	<5		
CCT(K)	2700K / 3000K / 3500K / 4000K / 5700K / 6500K		
CRI	Ra≥80/90		
Beam Angle (°)	15° / 24° / 38° / 45° / 60°		
UGR	<22		
LED Driver	Lifud / BOKE / Tridonic		
Rated Input Voltage(V)	AC200-240V 50/60Hz		
Power Factor	>0.9		
Efficiency	≥82%	≥82%	≥87%
Rated Input Current	≤0.08A	≤0.08A	≤0.14A
Full load output voltage	DC 30-42V	DC 30-40V	DC 28-42V
Rated output current	250mA	350mA	600mA
Dimming Option	Non-dimmable / 1-10V / Triac / DALI dimmable / Casambi		
Power tolerance	±5%		
Current output tolerance	±5%		
Protection Class	Class II		
Short circuit protection Over voltage protection Over temperature protection	PASS		
THD	<20%@230V		
Surge	L-N:2KV		
Withstand voltage	I/P-O/P:3.75KV AC		
Finishing color	Black / White		
Material	Aluminium		
IP Rating	IP20; IP65 on the visible part of the product once installed		
Lifetime (hr)	50,000		
Operating Temp.(°C)	-20°C~45°C		
Storage Temp.(°C)	-20°C~65°C		

# Installation Procedure

## WARNING

1. Switch off before installation.
2. Switch on only after complete installation and examination of the circuit.
3. Professional electrician for installation and maintenance only.



- Turn Off power supply before starting any installation. Read instructions & check you have all the tools & accessories to complete the installation correctly.

Cutout refer to cutout table

Item	Product Size (mm)	Cutout(mm)
1	Ø100*48	Ø80-90
2	Ø100*68	Ø80-90
3	Ø100*96	Ø80-90

L — Switched  
N — Neutral

Connect power supply

1 2

If the external flexible cable or cord of this luminaire is damaged, it shall be exclusively replaced by the manufacturer or his service agent or a similar qualified person in order to avoid a hazard.

COMPLETE

The light source contained in this luminaire shall only be replaced by the manufacturer or his service agent or a similar qualified person.

3 4

