

IBDL126 Series
130lm/W Recessed LED Downlight |
Mirror/Black Reflector
Customizable Logo Plate for Branding
Honeycomb Louver Optional

Key Features

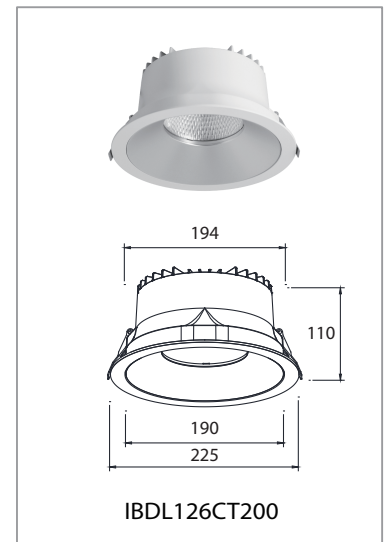
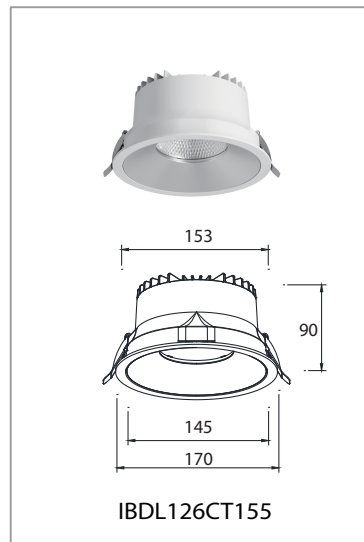
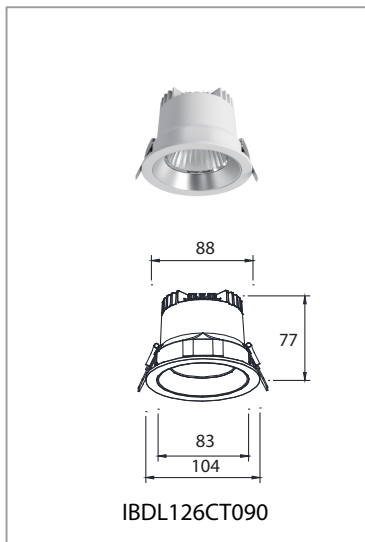
- **High Efficacy up to 130 lm/W**
 Delivers excellent energy efficiency while maintaining strong lumen output, ideal for large-scale commercial and project applications.
- **Flexible Beam Angles (15°-60°)**
 Supports a full range of lighting needs from precise accent lighting to uniform general illumination.
- **Customizable Reflector Finishes**
 Available in mirror, golden, matt silver, and matt black, enabling both optical performance tuning and aesthetic integration.
- **Branding-Ready Design (Custom Logo Plate)**
 Supports customized logo integration, ideal for international brands and OEM/ODM partnerships.
- **Optional Honeycomb Louver**
 Enhances glare control and improves visual comfort in high-end architectural environments.



Applications

Designed for:

- **Commercial & Retail** : Shopping Malls, Showrooms, Shops
- **Office & Corporate Spaces** : Conference Rooms, Offices
- **Hospitality** : Hotels, Restaurants, Lobbies
- **Public Areas** : Corridors, Hallways, Reception Areas



Measurement

Model	Dimension(mm)				Product Weight (Kg)		Package weight (Kg)		Carton Size(cm)	Qty/CTN
	A	B	C	D	N.W/PC	G.W/PC	N.W/CTN	G.W/CTN		
IBDL126CT090	104	77	88	83	/	/	/	/	/	/
IBDL126CT155	170	90	153	145	/	/	/	/	/	/
IBDL126CT200	225	110	194	190	/	/	/	/	/	/

Technical Specifications

Model No.	IBDL126CT090	IBDL126CT155	IBDL126CT200
Size(mm)	Ø104*77	Ø170*90	Ø225*100
Cutout(mm)	Ø90-95	Ø153-160	Ø195-210
Watt(W)	15W	25W	35W
Luminous Flux (lm) @4000K	1900	3200	4700
Light Source	COB LED		
LED Brand	Bridgelux / Cree (standard) / Hongli (optional)		
SDCM	<5		
CCT(K)	2700K / 3000K / 3500K / 4000K / 5700K / 6500K		
CRI	Ra≥80/90		
Beam Angle (°)	15° / 24° / 38° / 45° / 60°		
UGR	<19		
LED Driver	Lifud / BOKE / Tridonic		
Rated Input Voltage(V)	AC200-240V 50/60Hz		
Power Factor	>0.9		
Efficiency	≥82%	≥87%	≥87%
Rated Input Current	≤0.08A	≤0.14A	≤0.24A
Full load output voltage	DC 30-42V	DC 30-40V	DC 28-42V
Rated output current	350mA	600mA	850mA
Dimming Option	Non-dimmable / 1-10V / Triac / DALI dimmable / Casambi		
Power tolerance	±5%		
Current output tolerance	±5%		
Protection Class	Class II		
Short circuit protection Over voltage protection Over temperature protection	PASS		
THD	<20%@230V		
Surge	L-N-PE:1KV		
Withstand voltage	AC1500V		
Finishing color	Black / White		
Material	Aluminium		
IP Rating	IP20		
Lifetime (hr)	50,000		
Operating Temp.(°C)	-20°C~45°C		
Storage Temp.(°C)	-20°C~65°C		

Installation Procedure

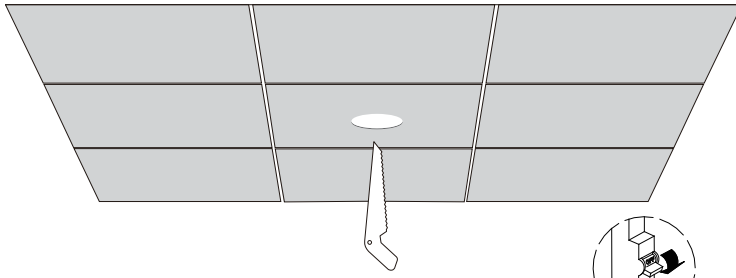
WARNING

1. Switch off before installation.
2. Switch on only after complete installation and examination of the circuit.
3. Professional electrician for installation and maintenance only.



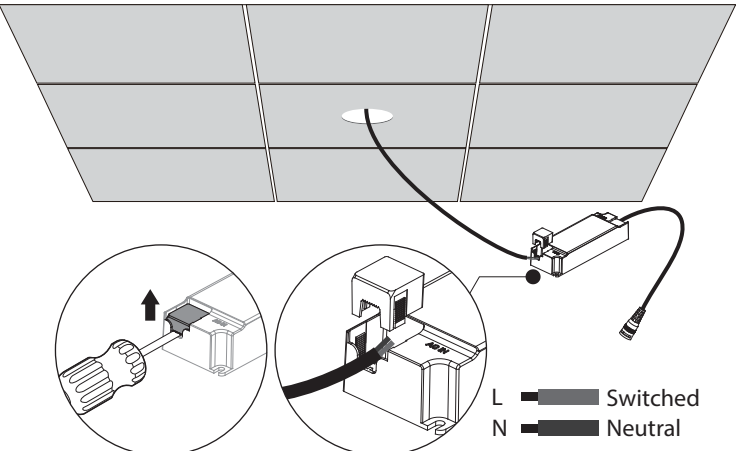
Turn Off
Power Supply

- Turn Off power supply before starting any installation. Read instructions & check you have all the tools & accessories to complete the installation correctly.





Cutout refer to cutout table

Item	Product Size (mm)	Cutout(mm)
1	Ø104*77	Ø90-95
2	Ø170*90	Ø153-160
3	Ø225*100	Ø195-210

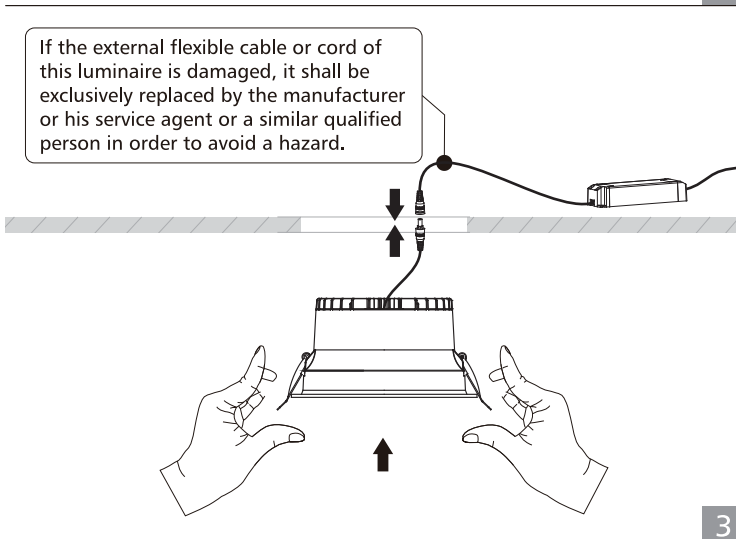


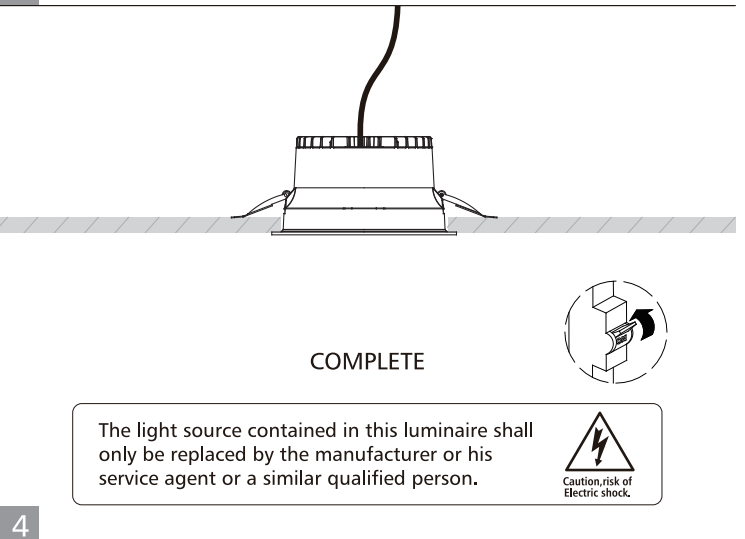
Connect power supply

L  Switched
N  Neutral

1 2


If the external flexible cable or cord of this luminaire is damaged, it shall be exclusively replaced by the manufacturer or his service agent or a similar qualified person in order to avoid a hazard.





COMPLETE

The light source contained in this luminaire shall only be replaced by the manufacturer or his service agent or a similar qualified person.



Caution, risk of Electric shock.

3 4