

IBSP153 Series Small Cut-out Module Design LED Downlight |

Key Features

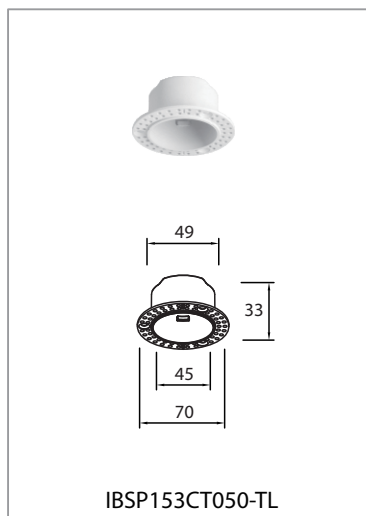
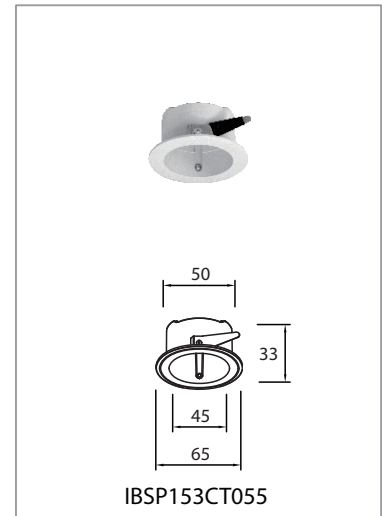
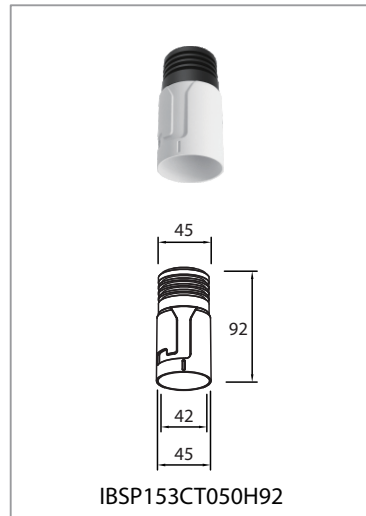
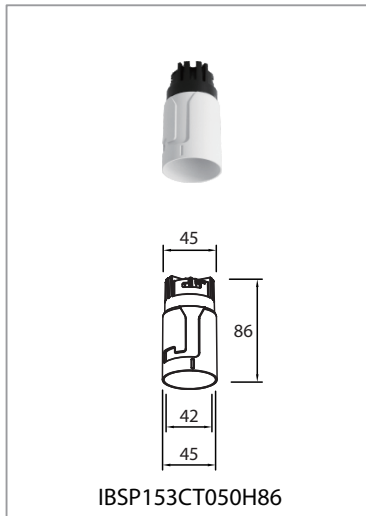
- Modular Small Cut-out System**
 Compact light engine with interchangeable trims, enabling flexible configuration across different ceiling aesthetics.
- Minimal Visual Impact**
 Reduced cut-out design ensures a clean, discreet ceiling appearance while maintaining precise lighting performance.
- Enhanced Visual Comfort**
 Deep-set light source with optional honeycomb louvre, effectively reducing glare (UGR<13).
- High-Quality Construction**
 Die-cast aluminum housing provides efficient heat dissipation and long-term reliability.
- Versatile Finishing Options**
 Available in trimless and trim versions, with black or white finishes to suit various interior styles.



Applications

Designed for:

- Hospitality** : Guestrooms, suites, and corridors where discreet lighting and visual comfort are essential.
- Residential** : Living spaces, bathrooms, and private interiors requiring refined, low-profile illumination.
- Retail** : Accent lighting for showcases and display areas with precise beam control.
- Commercial & Office** : Corridors and transition areas where consistency and visual comfort are key.



Measurement

Model	Dimension(mm)				Product Weight (Kg)		Package weight (Kg)		Carton Size(cm)	Qty/CTN
	A	B	C	D	N.W/PC	G.W/PC	N.W/CTN	G.W/CTN		
IBSP153CT050H86	45	86	45	42	/	/	/	/	/	/
IBSP153CT050H92	45	92	45	42	/	/	/	/	/	/
IBSP153CT055	65	33	50	45	/	/	/	/	/	/
IBSP153CT050-TL	70	33	49	45	/	/	/	/	/	/

Technical Specifications

Model No.	IBSP153CT050H86	IBSP153CT050H92
Size(mm)	Ø45*86	Ø45*92
Cutout(mm)	-	-
Watt(W)	3-7W	10W
Luminous Flux (lm) @4000K	600	900
Light Source	COB LED	
LED Brand	Bridgelux / Cree (standard) / Hongli (optional)	
SDCM	<5	
CCT(K)	2700K / 3000K / 3500K / 4000K / 5700K / 6500K	
CRI	Ra≥80/90	
Beam Angle (°)	15° / 24° / 38°	
UGR	<13	
LED Driver	Lifud / BOKE / Tridonic	
Rated Input Voltage(V)	AC200-240V 50/60Hz	
Power Factor	>0.9	
Efficiency	≥80%	≥84%
Rated Input Current	≤0.07A	≤0.08A
Full load output voltage	DC28-42V	DC 28-42V
Rated output current	150mA	250mA
Dimming Option	Non-dimmable / 1-10V / Triac / DALI dimmable / Casambi	
Power tolerance	±5%	
Current output tolerance	±5%	
Protection Class	Class II	
Short circuit protection Over voltage protection Over temperature protection	PASS	
THD	≤20%@230V	
Surge	L-N:2KV	
Withstand voltage	I/P-O/P:3.75KV AC	
Finishing color	Black / White	
Material	Aluminium	
IP Rating	IP20; IP54 on the visible part of the product once installed	
Lifetime (hr)	50,000	
Operating Temp.(°C)	-20°C~45°C	
Storage Temp.(°C)	-20°C~65°C	

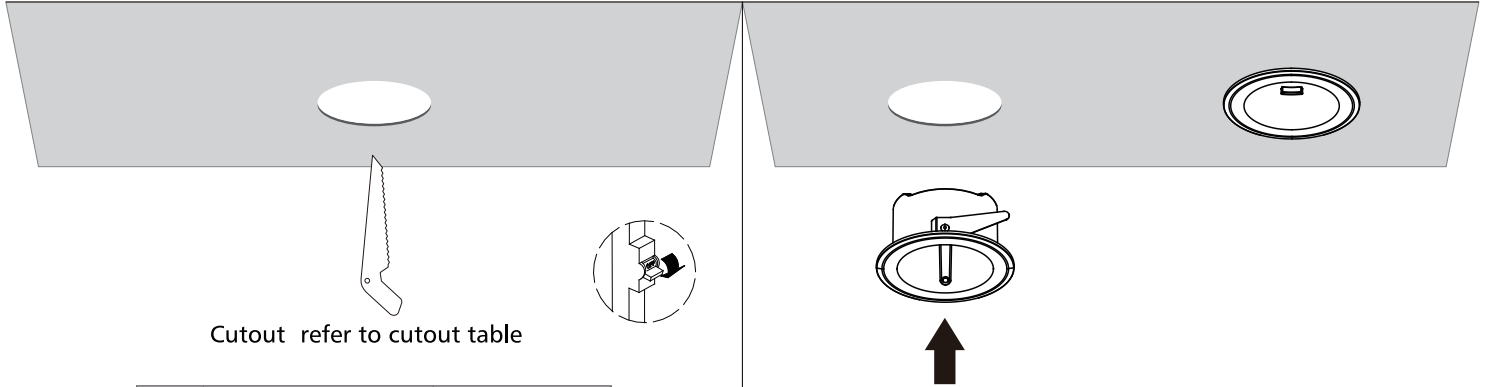
Installation Procedure

WARNING

1. Switch off before installation.
2. Switch on only after complete installation and examination of the circuit.
3. Professional electrician for installation and maintenance only.



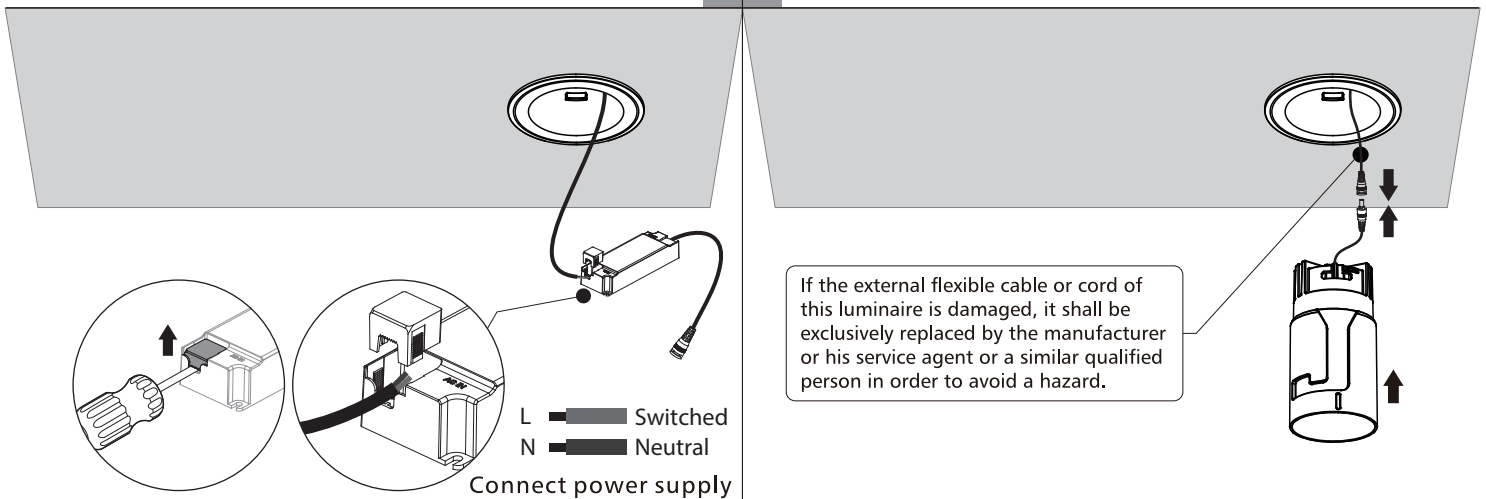
- Turn Off power supply before starting any installation. Read instructions & check you have all the tools & accessories to complete the installation correctly.



Cutout refer to cutout table

Item	Product Size (mm)	Cutout(mm)
1	Ø65*33	Ø55

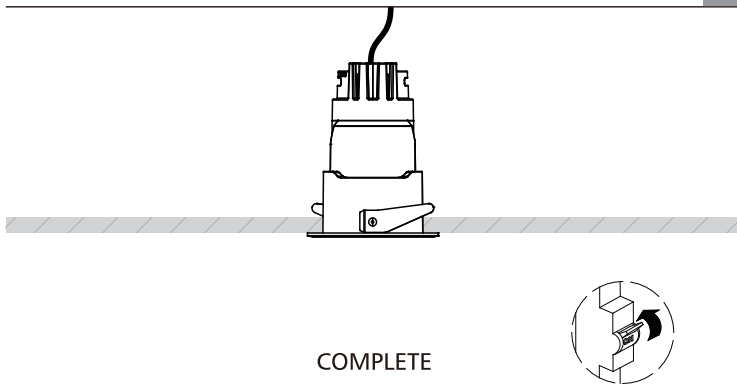
1 2



If the external flexible cable or cord of this luminaire is damaged, it shall be exclusively replaced by the manufacturer or his service agent or a similar qualified person in order to avoid a hazard.

L — Switched
N — Neutral
Connect power supply

3 4



COMPLETE

The light source contained in this luminaire shall only be replaced by the manufacturer or his service agent or a similar qualified person.



5

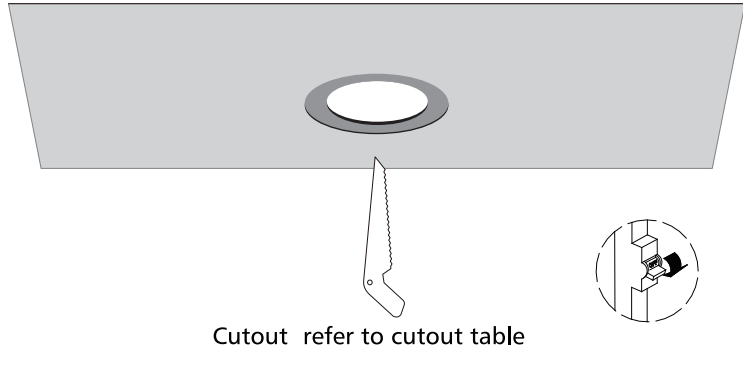
Installation Procedure

WARNING

1. Switch off before installation.
2. Switch on only after complete installation and examination of the circuit.
3. Professional electrician for installation and maintenance only.

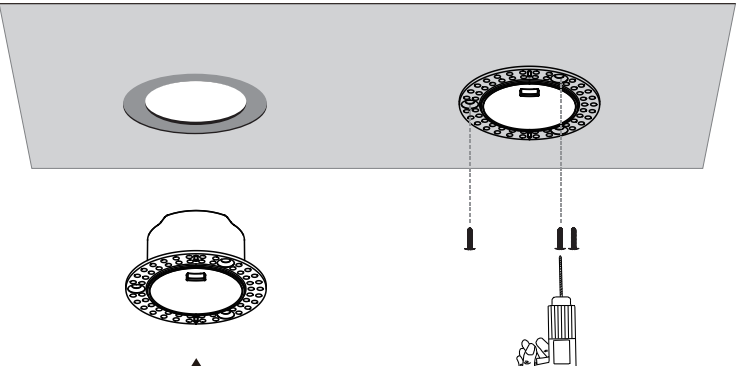


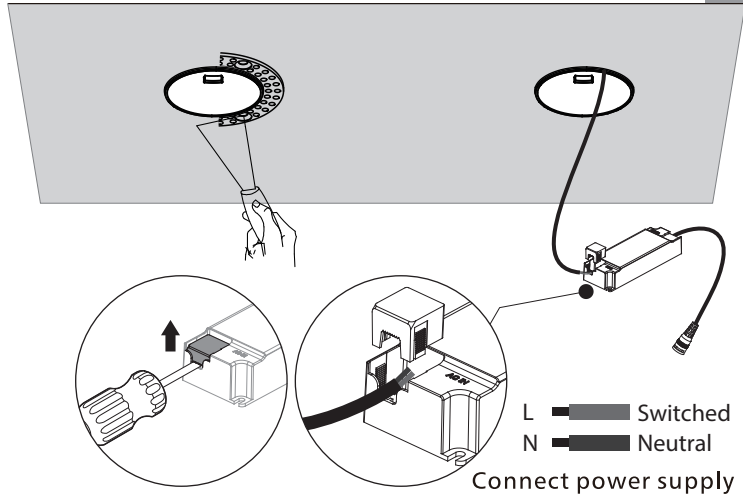
- Turn Off power supply before starting any installation. Read instructions & check you have all the tools & accessories to complete the installation correctly.



Cutout refer to cutout table

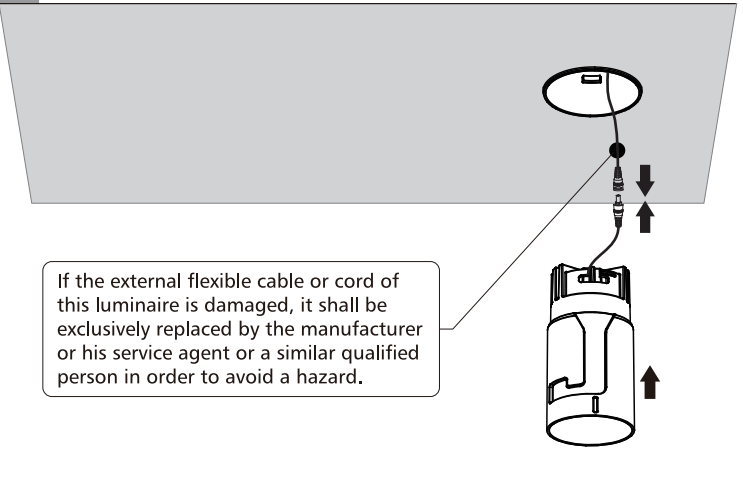
Item	Product Size (mm)	Cutout(mm)
1	Ø70*33	Ø50



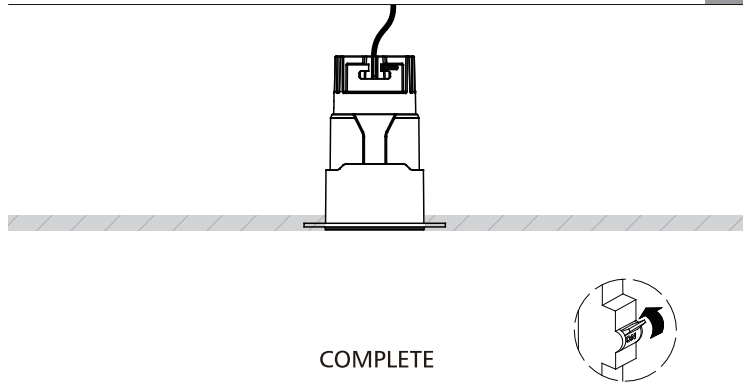


Connect power supply

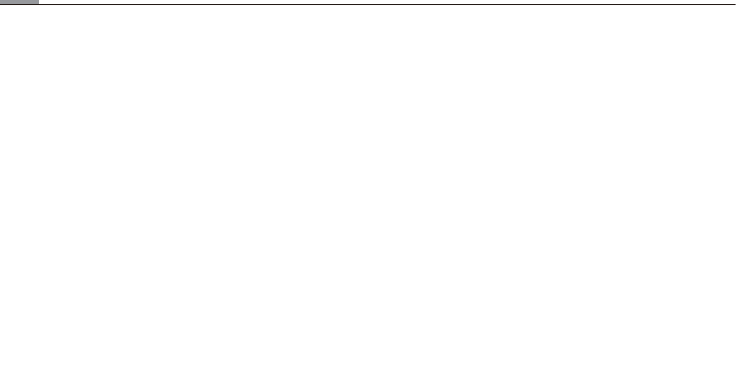
L Switched
 N Neutral



If the external flexible cable or cord of this luminaire is damaged, it shall be exclusively replaced by the manufacturer or his service agent or a similar qualified person in order to avoid a hazard.



COMPLETE



5

The light source contained in this luminaire shall only be replaced by the manufacturer or his service agent or a similar qualified person.

