

IBSP115 Series Shallow Trim Recessed LED Downlight | Safety Glass

Key Features

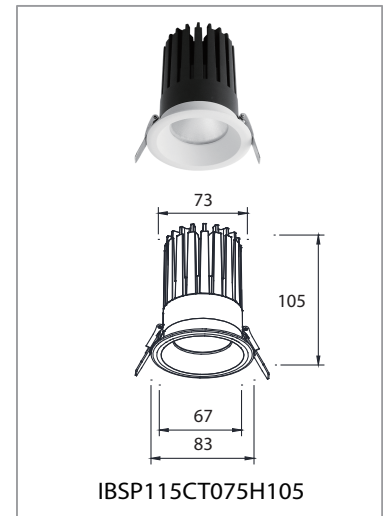
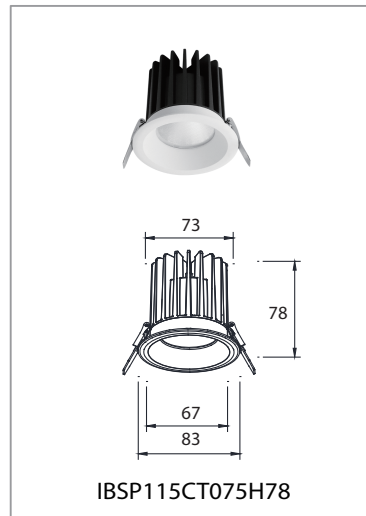
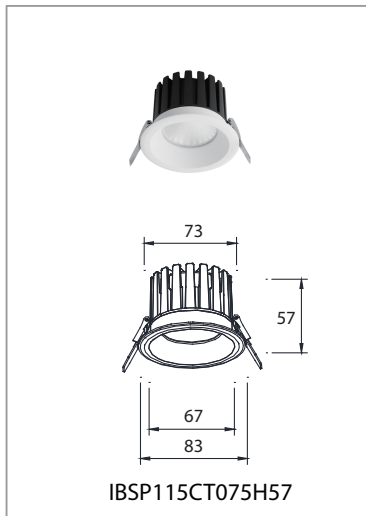
- **Precision Beam Control (15°–60°)**
Multiple beam angle options enable both focused accent lighting and wider ambient illumination, adapting easily to different design needs.
- **Compact Shallow Recessed Design**
Optimized for limited ceiling voids while maintaining clean architectural integration and a refined visual appearance.
- **IP65 Front Protection with Safety Glass**
Engineered for humid and semi-outdoor environments, ensuring durability and compliance with demanding project conditions.
- **Integrated Die-Cast Aluminum Housing**
Combines trim and heatsink for efficient thermal management, enhancing lifespan and maintaining lumen stability.
- **Flexible Output Options (10W / 15W / 25W)**
Covers a wide range of lighting requirements from subtle accent lighting to higher-output functional illumination.



Applications

Designed for:

- **Hospitality** : Hotels, Restaurants, Guestrooms
- **Wellness & SPA** : Bathrooms, Spa Areas
- **Residential & High-End Living Spaces**
- **Commercial & Retail** : Boutiques, Showrooms
- **Public Areas** : Corridors, Hallways



Measurement

Model	Dimension(mm)				Product Weight (Kg)		Package weight (Kg)		Carton Size(cm)	Qty/CTN
	A	B	C	D	N.W/PC	G.W/PC	N.W/CTN	G.W/CTN		
IBSP115CT075H57	83	57	73	67	/	/	/	/	/	/
IBSP115CT075H78	83	78	73	67	/	/	/	/	/	/
IBSP115CT075H105	83	105	73	67	/	/	/	/	/	/

Technical Specifications

Model No.	IBSP115CT075H57	IBSP115CT075H78	IBSP115CT075H105
Size(mm)	Ø83*57	Ø83*78	Ø83*105
Cutout(mm)	Ø75-78	Ø75-78	Ø75-78
Watt(W)	10W	15W	25W
Luminous Flux (lm) @4000K	1000	1500	2500
Light Source	COB LED		
LED Brand	Bridgelux / Cree (standard) / Hongli (optional)		
SDCM	<5		
CCT(K)	2700K / 3000K / 3500K / 4000K / 5700K / 6500K		
CRI	Ra≥80/90		
Beam Angle (°)	15° / 24° / 38° / 45° / 60°		
UGR	<19		
LED Driver	Lifud / BOKE / Tridonic		
Rated Input Voltage(V)	AC200-240V 50/60Hz		
Power Factor	>0.9		
Efficiency	≥82%	≥82%	≥87%
Rated Input Current	≤0.08A	≤0.08A	≤0.14A
Full load output voltage	DC 30-42V	DC 30-40V	DC 28-42V
Rated output current	250mA	350mA	600mA
Dimming Option	Non-dimmable / 1-10V / Triac / DALI dimmable / Casambi		
Power tolerance	±5%		
Current output tolerance	±5%		
Protection Class	Class II		
Short circuit protection Over voltage protection Over temperature protection	PASS		
THD	<20%@230V		
Surge	L-N:2KV		
Withstand voltage	I/P-O/P:3.75KV AC		
Finishing color	Black / White		
Material	Aluminium		
IP Rating	IP20; IP65 on the visible part of the product once installed		
Lifetime (hr)	50,000		
Operating Temp.(°C)	-20°C~45°C		
Storage Temp.(°C)	-20°C~65°C		

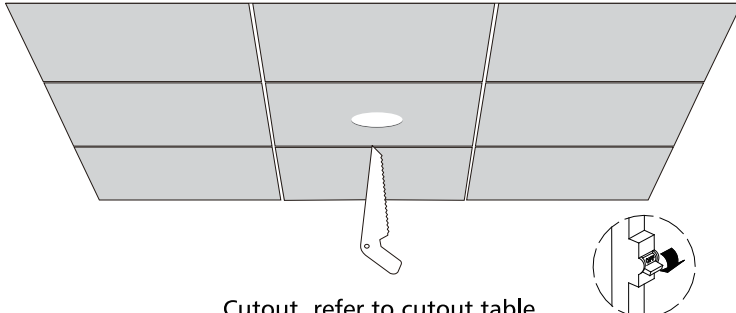
Installation Procedure

WARNING

1. Switch off before installation.
2. Switch on only after complete installation and examination of the circuit.
3. Professional electrician for installation and maintenance only.

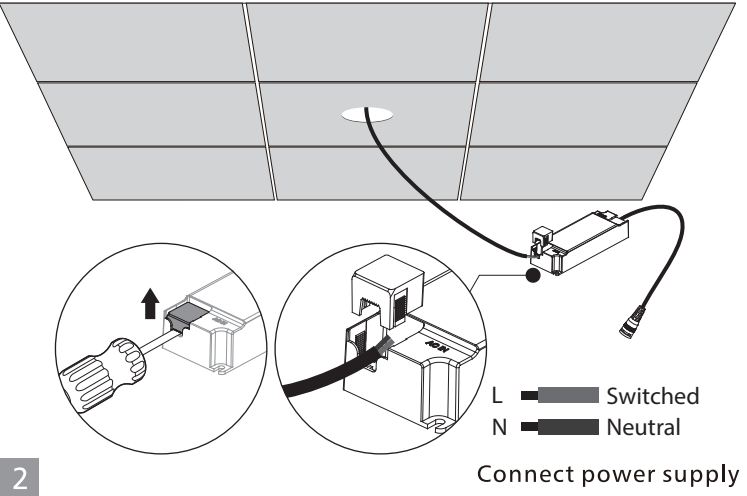


- Turn Off power supply before starting any installation. Read instructions & check you have all the tools & accessories to complete the installation correctly.





Cutout refer to cutout table

Item	Product Size (mm)	Cutout(mm)
1	Ø83*57	Ø75-78
2	Ø83*78	Ø75-78
3	Ø83*105	Ø75-78

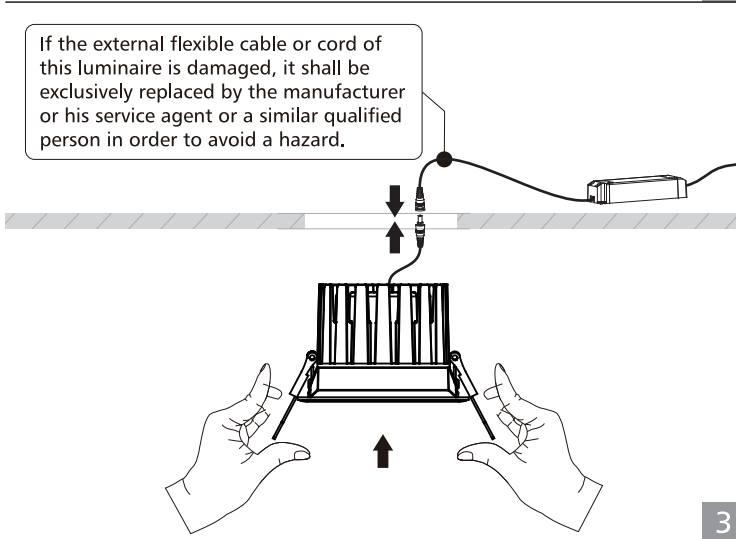


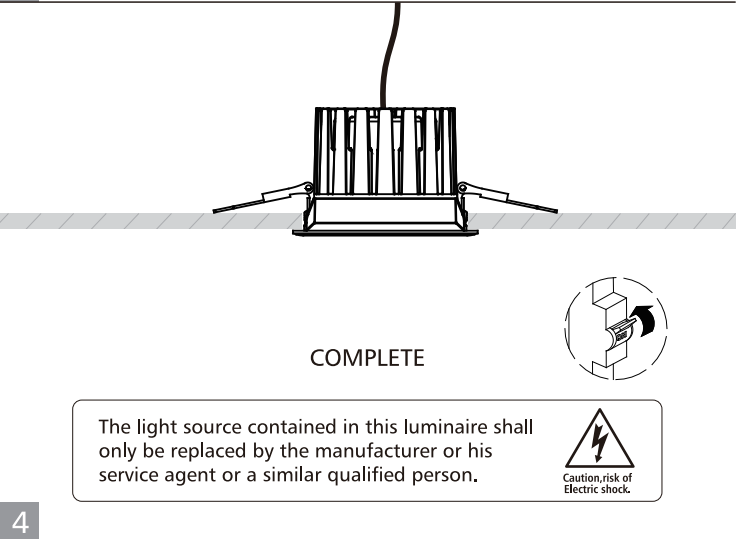
Connect power supply

L  Switched
N  Neutral

1 2


If the external flexible cable or cord of this luminaire is damaged, it shall be exclusively replaced by the manufacturer or his service agent or a similar qualified person in order to avoid a hazard.





COMPLETE

The light source contained in this luminaire shall only be replaced by the manufacturer or his service agent or a similar qualified person.



Caution, risk of Electric shock.

3 4