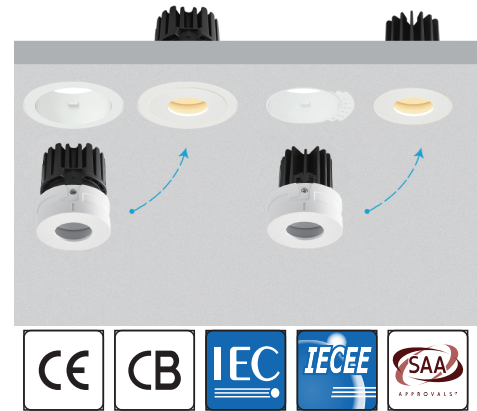


IBSP158-PIN Series Module Design LED Downlight | IP65 , PIN hole, Honeycomb Louver Optional

Key Features

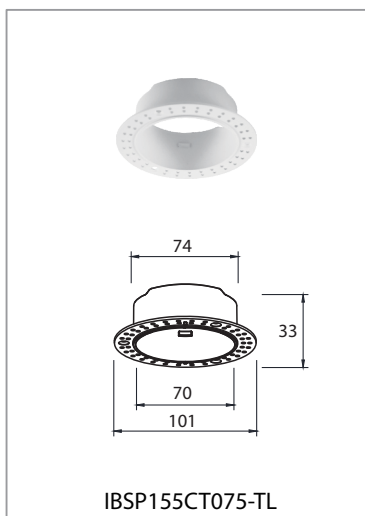
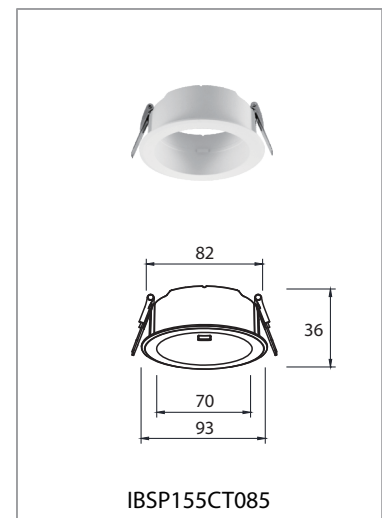
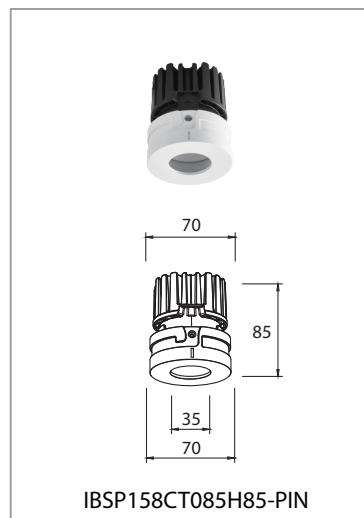
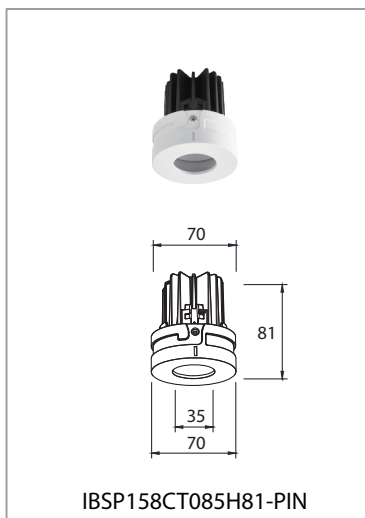
- Pin Hole Optical Design**
 Recessed pinhole aperture minimizes light spill and delivers precise, controlled illumination with a refined visual effect.
- Advanced Anti-Glare Performance**
 Deep-set light source combined with optional honeycomb louvre ensures superior visual comfort.
- Precise Beam Control**
 Available in 15° / 24° / 36° beam angles, ideal for focused accent lighting.
- Modular System Flexibility**
 Compatible with interchangeable lenses, reflectors, and trim/trimless installations for versatile design integration.
- Durable Thermal Structure**
 Die-cast aluminum housing provides efficient heat dissipation and long-term stability.



Applications

Designed for:

- High-End Hospitality** : Guestrooms, suites, and spa areas where subtle, glare-free lighting enhances the spatial experience.
- Luxury Residential** : Bathrooms, corridors, and living spaces requiring discreet and refined lighting details.
- Retail & Galleries** : Ideal for highlighting artworks or premium products with tight beam precision.
- Architectural Projects** : Suitable for spaces demanding minimal visual impact and high lighting control.



Measurement

Model	Dimension(mm)				Product Weight (Kg)		Package weight (Kg)		Carton Size(cm)	Qty/CTN
	A	B	C	D	N.W/PC	G.W/PC	N.W/CTN	G.W/CTN		
IBSP158CT085H81-PIN	70	81	70	35	/	/	/	/	/	/
IBSP158CT085H85-PIN	70	85	70	35	/	/	/	/	/	/
IBSP155CT085	93	36	82	70	/	/	/	/	/	/
IBSP155CT075-TL	101	33	74	70	/	/	/	/	/	/

Technical Specifications

Model No.	IBSP158CT085H81-PIN	IBSP158CT085H85-PIN
Size(mm)	Ø70*81	Ø70*85
Cutout(mm)	-	-
Watt(W)	8W	15W
Luminous Flux (lm) @4000K	700	900
Light Source	COB LED	
LED Brand	Bridgelux / Cree (standard) / Hongli (optional)	
SDCM	<5	
CCT(K)	2700K / 3000K / 3500K / 4000K / 5700K / 6500K	
CRI	Ra≥80/90	
Beam Angle (°)	15° /24° / 36°	
UGR	<19	
LED Driver	Lifud / BOKE / Tridonic	
Rated Input Voltage(V)	AC200-240V 50/60Hz	
Power Factor	>0.9	
Efficiency	≥82%	≥82%
Rated Input Current	≤0.08A	≤0.08A
Full load output voltage	DC 30-42V	DC 30-40V
Rated output current	200mA	350mA
Dimming Option	Non-dimmable / 1-10V / Triac / DALI dimmable / Casambi	
Power tolerance	±5%	
Current output tolerance	±5%	
Protection Class	Class II	
Short circuit protection Over voltage protection Over temperature protection	PASS	
THD	<20%@230V	
Surge	L-N:2KV	
Withstand voltage	I/P-O/P:3.75KV AC	
Finishing color	Black / White	
Material	Aluminium	
IP Rating	IP20; IP65 on the visible part of the product once installed	
Lifetime (hr)	50,000	
Operating Temp.(°C)	-20°C~45°C	
Storage Temp.(°C)	-20°C~65°C	

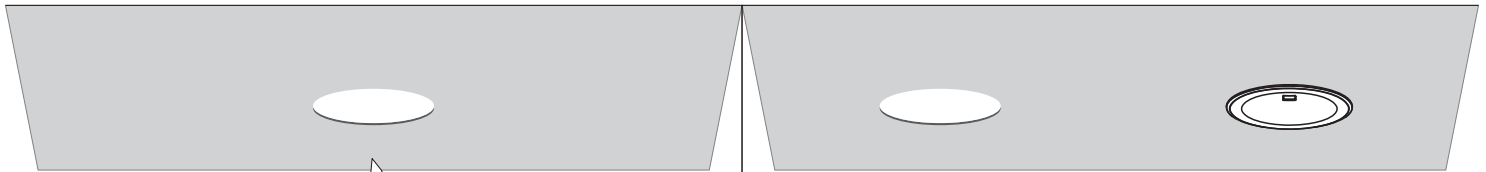
Installation Procedure

WARNING

1. Switch off before installation.
2. Switch on only after complete installation and examination of the circuit.
3. Professional electrician for installation and maintenance only.



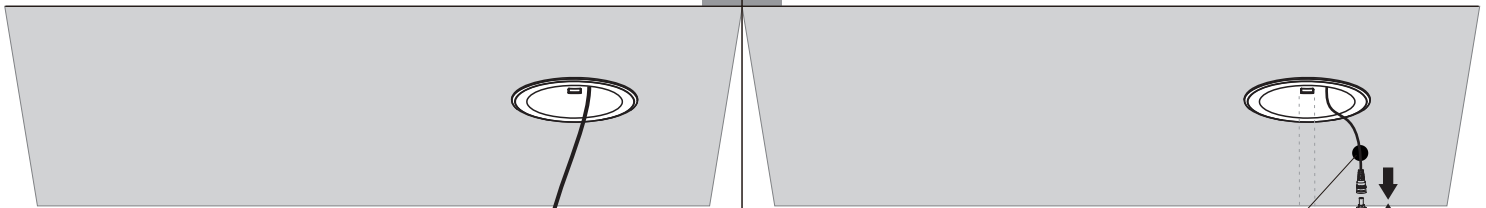
Turn Off power supply before starting any installation. Read instructions & check you have all the tools & accessories to complete the installation correctly.



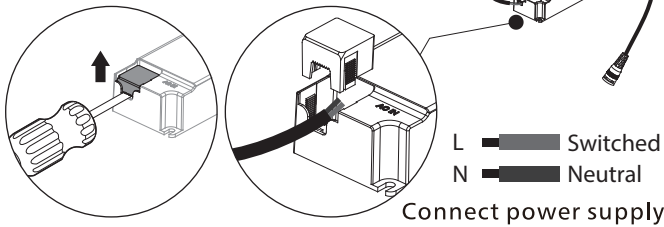
Cutout refer to cutout table

Item	Product Size (mm)	Cutout(mm)
1	Ø93*36	Ø85

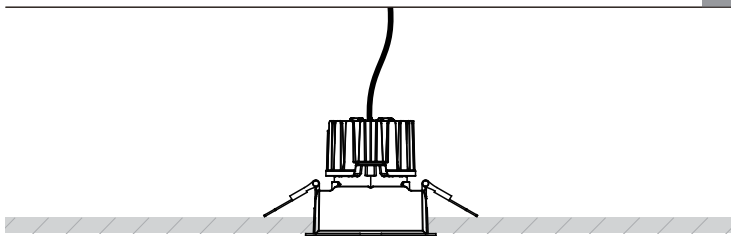
1 2



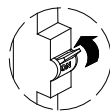
If the external flexible cable or cord of this luminaire is damaged, it shall be exclusively replaced by the manufacturer or his service agent or a similar qualified person in order to avoid a hazard.



3 4



COMPLETE



The light source contained in this luminaire shall only be replaced by the manufacturer or his service agent or a similar qualified person.



5

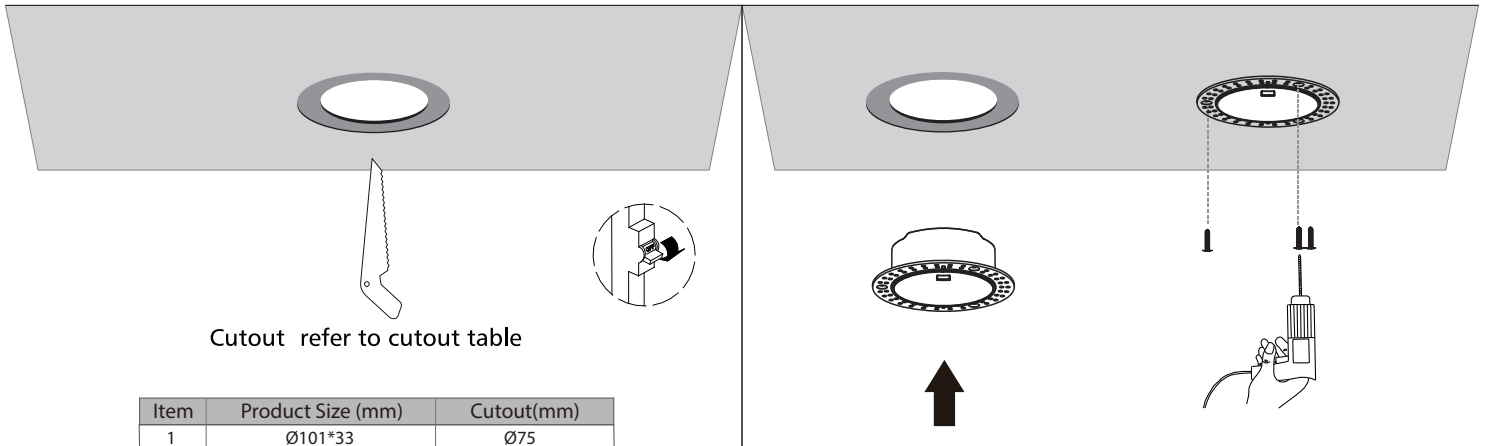
Installation Procedure

WARNING

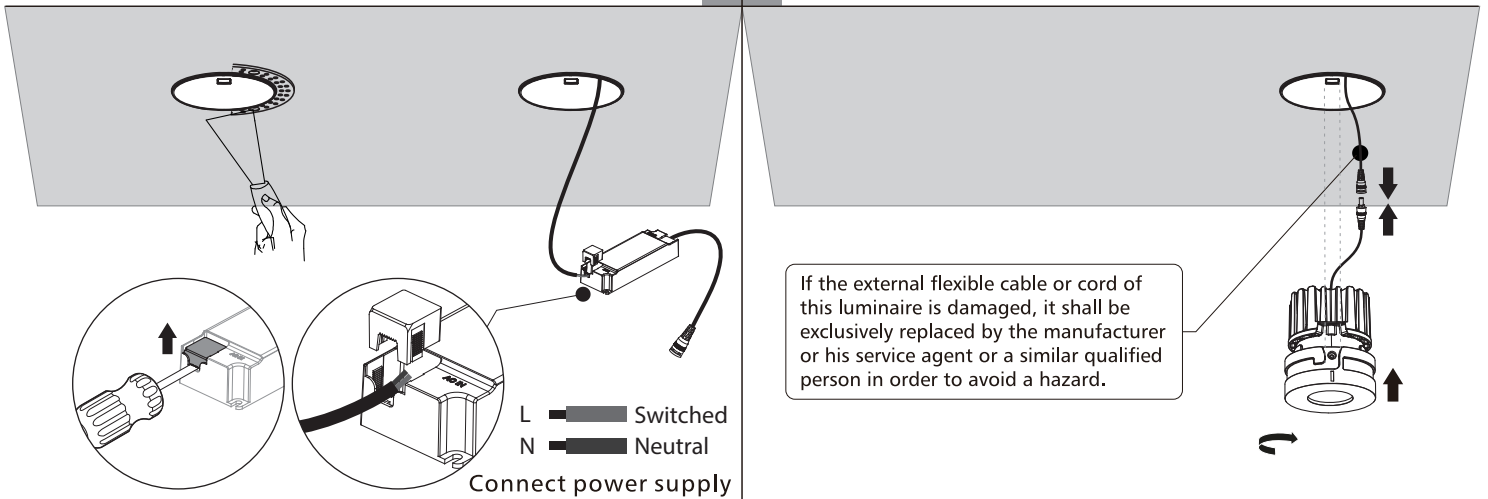
1. Switch off before installation.
2. Switch on only after complete installation and examination of the circuit.
3. Professional electrician for installation and maintenance only.



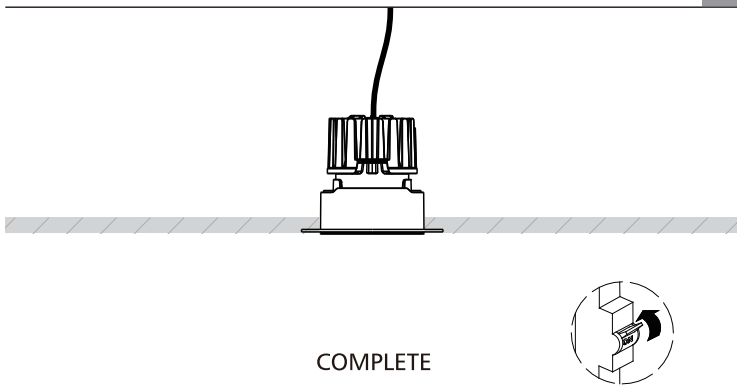
Turn Off power supply before starting any installation. Read instructions & check you have all the tools & accessories to complete the installation correctly.



1 2



3 4



The light source contained in this luminaire shall only be replaced by the manufacturer or his service agent or a similar qualified person.



5