

IBSP104S-2F Series Twin-head Adjustable LED Downlight | IP65, Honeycomb Louver Optional

Key Features

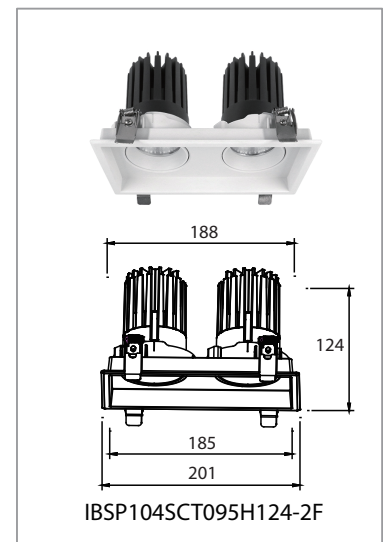
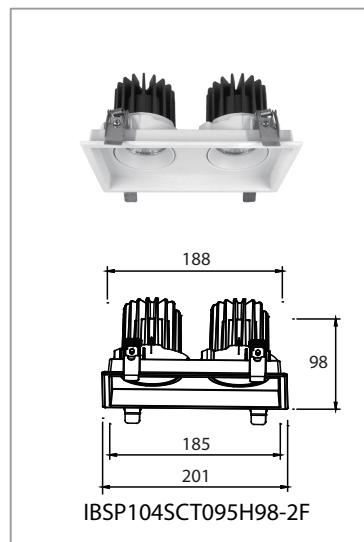
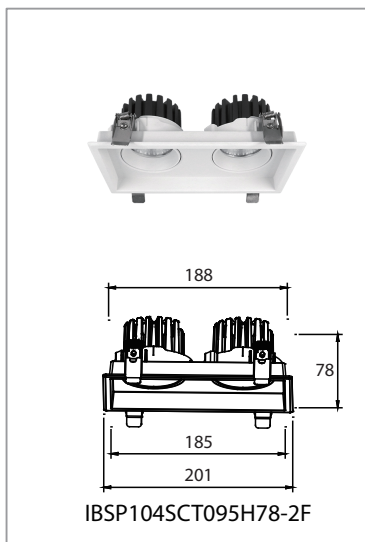
- **Full Directional Flexibility**
355° horizontal rotation and 30° vertical adjustment enable precise and dynamic light positioning.
- **Deep Anti-Glare Design**
Deep trim structure effectively controls glare, ensuring superior visual comfort in high-end environments.
- **IP65 Front Protection**
Sealed front with safety glass diffuser, suitable for humid and demanding interior applications.
- **High Output with Thermal Stability**
Die-cast aluminum housing with efficient heat dissipation ensures consistent performance and long lifespan.



Applications

Designed for:

- **Hospitality** : Lobby, Reception, Guestrooms
- **Galleries & Exhibition Areas**
- **Corridors & Circulation Areas**
- **Retail & Brand Spaces**
- **Offices & Conference Rooms**
- **Accent Lighting for Artwork, Displays, and Architectural Features**



Measurement

Model	Dimension(mm)				Product Weight (Kg)		Package weight (Kg)		Carton Size(cm)	Qty/CTN
	A	B	C	D	N.W/PC	G.W/PC	N.W/CTN	G.W/CTN		
IBSP104SCT095H78-2F	201	78	188	185	/	/	/	/	/	/
IBSP104SCT095H98-2F	201	98	188	185	/	/	/	/	/	/
IBSP104SCT095H124-2F	201	124	188	185	/	/	/	/	/	/

Technical Specifications

Model No.	IBSP104SCT095H78-2F	IBSP104SCT095H98-2F	IBSP104SCT095H124-2F	
Size(mm)	L201*W106*H78	L201*W106*H98	L201*W106*H124	
Cutout(mm)	L190*W95-L195*W98	L190*W95-L195*W98	L190*W95-L195*W98	
Watt(W)	2*10W	2*15W	2*25W	
Optical	Luminous Flux (lm) @4000K	2000	3000	5000
	Light Source	COB LED		
	LED Brand	Bridgelux / Cree (standard) / Hongli (optional)		
	SDCM	<5		
	CCT(K)	2700K / 3000K / 3500K / 4000K / 5700K / 6500K		
	CRI	Ra≥80/90		
	Beam Angle (°)	15° / 24° / 38° / 45° / 60°		
	UGR	<19		
Electrical	LED Driver	Lifud / BOKE / Tridonic		
	Rated Input Voltage(V)	AC200-240V 50/60Hz		
	Power Factor	>0.9		
	Efficiency	≥82%	≥82%	≥87%
	Rated Input Current	≤0.08A	≤0.08A	≤0.14A
	Full load output voltage	DC 30-42V	DC 30-40V	DC 28-42V
	Rated output current	250mA	350mA	600mA
	Dimming Option	Non-dimmable / 1-10V / Triac / DALI dimmable / Casambi		
	Power tolerance	±5%		
	Current output tolerance	±5%		
	Protection Class	Class II		
	Short circuit protection Over voltage protection Over temperature protection	PASS		
	THD	<20%@230V		
	Surge	L-N:2KV		
Withstand voltage	I/P-O/P:3.75KV AC			
Mechanical	Finishing color	Black / White		
	Material	Aluminium		
	IP Rating	IP20; IP65 on the visible part of the product once installed		
Environmental	Lifetime (hr)	50,000		
	Operating Temp.(°C)	-20°C~45°C		
	Storage Temp.(°C)	-20°C~65°C		

Installation Procedure

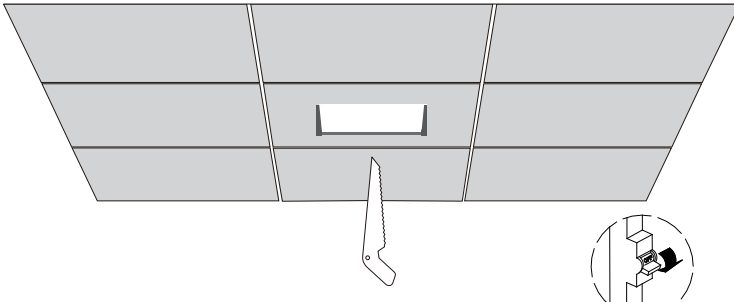
WARNING

1. Switch off before installation.
2. Switch on only after complete installation and examination of the circuit.
3. Professional electrician for installation and maintenance only.



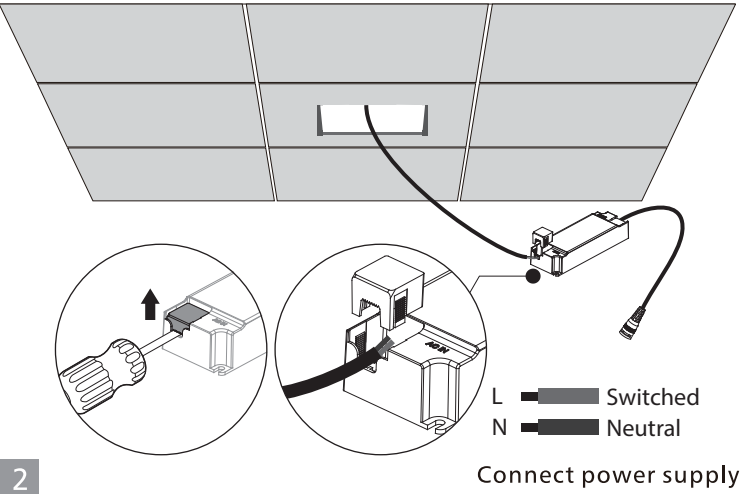
**Turn Off
Power Supply**



- Turn Off power supply before starting any installation. Read instructions & check you have all the tools & accessories to complete the installation correctly.



Cutout refer to cutout table

Item	Product Size (mm)	Cutout(mm)
1	L201*W106*H78	L190*W95-L195*W98
2	L201*W106*H98	L190*W95-L195*W98
3	L201*W106*H124	L190*W95-L195*W98

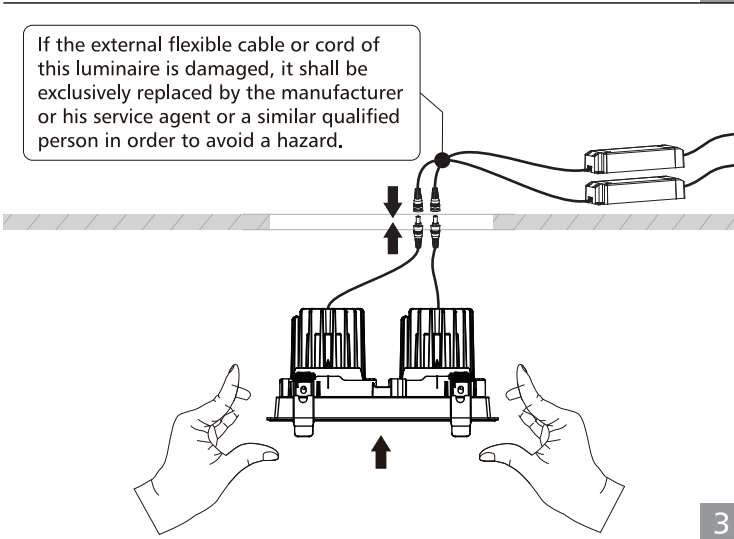


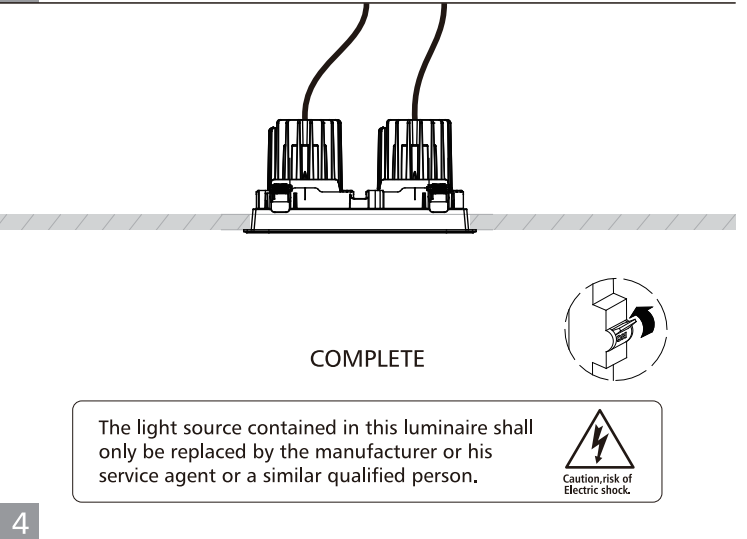
L  Switched
N  Neutral

Connect power supply

1 2


If the external flexible cable or cord of this luminaire is damaged, it shall be exclusively replaced by the manufacturer or his service agent or a similar qualified person in order to avoid a hazard.





COMPLETE

The light source contained in this luminaire shall only be replaced by the manufacturer or his service agent or a similar qualified person.



Caution, risk of Electric shock.

3 4