

IBDL240Series Flat Trim Recessed LED Downlight - ECO |

Key Features

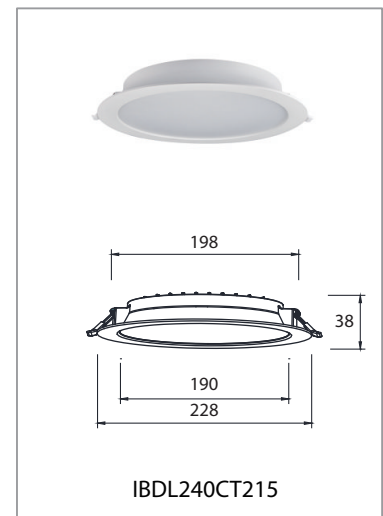
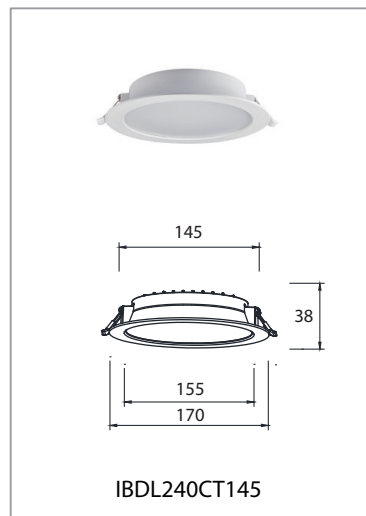
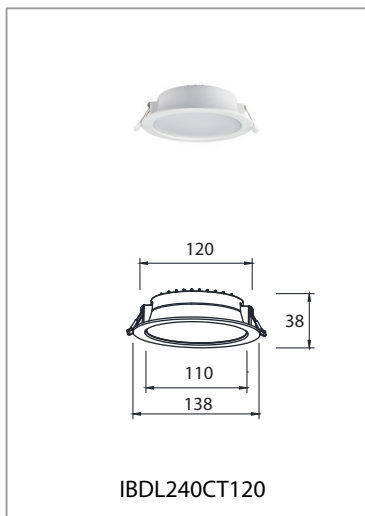
- **Ultra-Wide Beam Distribution**
100° beam angle, delivering uniform and shadow-free general lighting.
- **High Efficiency Output**
Up to 3800 lm with optimized efficacy, suitable for energy-efficient projects.
- **Slim Flat Trim Design**
Clean and minimal flat trim appearance, ideal for modern architectural integration.
- **Reliable Thermal Structure**
Die-cast aluminum housing with integrated heatsink ensures long-term stability.
- **Soft Visual Comfort**
PC diffuser provides smooth, glare-controlled and evenly distributed light.
- **Multiple Wattage Options**
15W / 22W / 32W, covering a range of ceiling heights and space requirements.



Applications

Designed for:

- **Hospitality** : Hotels, guest rooms, restaurants
- **Office & Corporate** : Open offices, meeting rooms
- **Commercial & Retail** : Shopping malls, stores, supermarkets
- **Public Areas** : Corridors, lobbies, circulation spaces



Measurement

Model	Dimension(mm)				Product Weight (Kg)		Package weight (Kg)		Carton Size(cm)	Qty/CTN
	A	B	C	D	N.W/PC	G.W/PC	N.W/CTN	G.W/CTN		
IBDL240CT120	138	38	120	110	/	/	/	/	/	/
IBDL240CT145	170	38	145	155	/	/	/	/	/	/
IBDL240CT215	228	38	198	190	/	/	/	/	/	/

Technical Specifications

Model No.	IBDL240CT120	IBDL240CT145	IBDL240CT215
Size(mm)	Ø138*38	Ø170*38	Ø228*38
Cutout(mm)	Ø125-128	Ø150-160	Ø200-215
Watt(W)	15W	22W	32W
Luminous Flux (lm) @4000K	1500	2300	3800
Light Source	SMD LED		
LED Brand	Bridgelux / Cree (standard) / Hongli (optional)		
SDCM	<5		
CCT(K)	2700K / 3000K / 3500K / 4000K / 5700K / 6500K		
CRI	Ra≥80/90		
Beam Angle (°)	100°		
UGR	<22		
LED Driver	Lifud / BOKE / Tridonic		
Rated Input Voltage(V)	AC200-240V 50/60Hz		
Power Factor	>0.9		
Efficiency	≥82%	≥87%	≥87%
Rated Input Current	≤0.08A	≤0.14A	≤0.14A
Full load output voltage	DC 30-40V	DC 28-40V	DC 30-42V
Rated output current	350mA	550mA	800mA
Dimming Option	Non-dimmable / 1-10V / Triac / DALI dimmable / Casambi		
Power tolerance	±5%		
Current output tolerance	±5%		
Protection Class	Class II		
Short circuit protection Over voltage protection Over temperature protection	PASS		
THD	<20%@230V		
Surge	L-N:2KV		
Withstand voltage	I/P-O/P:3.75KV AC		
Finishing color	Black / White		
Material	Aluminium		
IP Rating	IP20		
Lifetime (hr)	50,000		
Operating Temp.(°C)	-20°C~45°C		
Storage Temp.(°C)	-20°C~65°C		

Installation Procedure

WARNING

1. Switch off before installation.
2. Switch on only after complete installation and examination of the circuit.
3. Professional electrician for installation and maintenance only.



- Turn Off power supply before starting any installation. Read instructions & check you have all the tools & accessories to complete the installation correctly.

