

IBSP104 Series Deep Trim Adjustable LED Downlight | IP65 , Honeycomb Louver Optional

Key Features

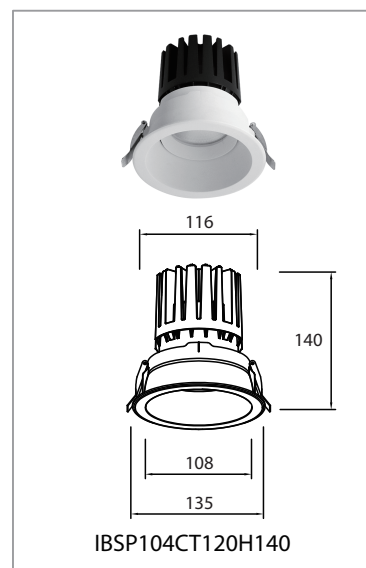
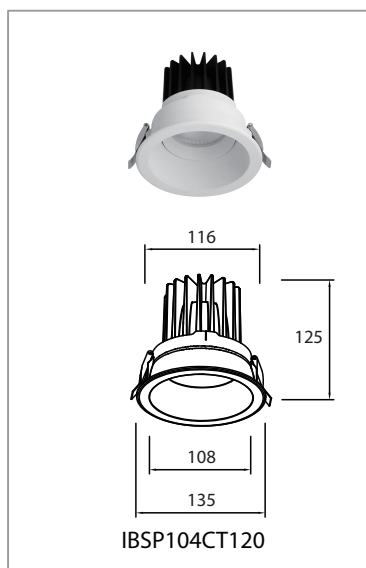
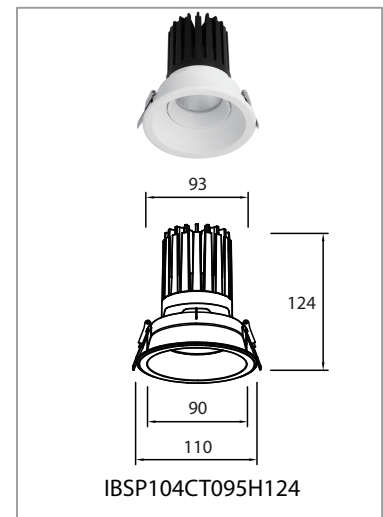
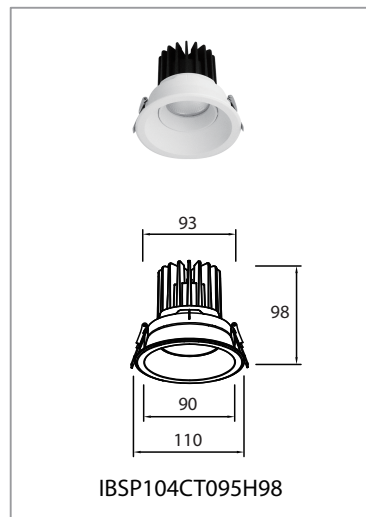
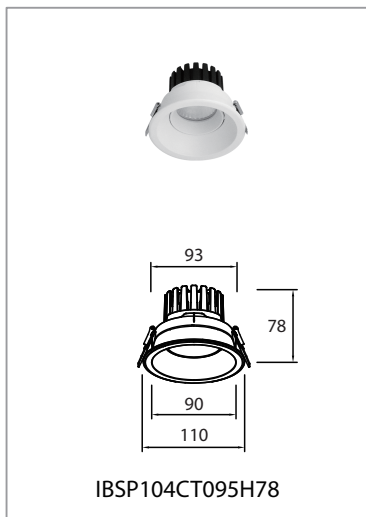
- **Full Directional Flexibility**
355° horizontal rotation and 30° vertical adjustment enable precise and dynamic light positioning.
- **Deep Anti-Glare Design**
Deep trim structure effectively controls glare, ensuring superior visual comfort in high-end environments.
- **IP65 Front Protection**
Sealed front with safety glass diffuser, suitable for humid and demanding interior applications.
- **High Output with Thermal Stability**
Die-cast aluminum housing with efficient heat dissipation ensures consistent performance and long lifespan.



Applications

Designed for:

- **Hospitality** : Lobby, Reception, Guestrooms
- **Retail & Brand Spaces**
- **Galleries & Exhibition Areas**
- **Offices & Conference Rooms**
- **Corridors & Circulation Areas**
- **Accent Lighting for Artwork, Displays, and Architectural Features**



Measurement

Model	Dimension(mm)				Product Weight (Kg)		Package weight (Kg)		Carton Size(cm)	Qty/CTN
	A	B	C	D	N.W/PC	G.W/PC	N.W/CTN	G.W/CTN		
IBSP104CT095H78	110	78	93	90	/	/	/	/	/	/
IBSP104CT095H98	110	98	93	90	/	/	/	/	/	/
IBSP104CT095H124	110	124	93	90	/	/	/	/	/	/
IBSP104CT120	135	125	116	108	/	/	/	/	/	/
IBSP104CT120H140	135	140	116	108	/	/	/	/	/	/

Technical Specifications

Model No.	IBSP104CT095H78	IBSP104CT095H98	IBSP104CT095H124	IBSP104CT120	IBSP104CT120H140
Size(mm)	Ø110*78	Ø110*98	Ø110*124	Ø135*125	Ø135*140
Cutout(mm)	Ø95-100	Ø95-100	Ø95-100	Ø120-125	Ø120-125
Watt(W)	10W	15W	25W	28W	40W
Luminous Flux (lm) @4000K	1000	1500	2500	2800	4000
Light Source	COB LED				
LED Brand	Bridgelux / Cree (standard) / Hongli (optional)				
SDCM	<5				
CCT(K)	2700K / 3000K / 3500K / 4000K / 5700K / 6500K				
CRI	Ra≥80/90				
Beam Angle (°)	15°/24°/38°/45°/60°				
UGR	<19				
LED Driver	Lifud / BOKE / Tridonic				
Rated Input Voltage(V)	AC200-240V 50/60Hz				
Power Factor	>0.9				
Efficiency	≥82%	≥82%	≥87%	≥87%	≥87%
Rated Input Current	≤0.08A	≤0.08A	≤0.14A	≤0.24A	≤0.24A
Full load output voltage	DC 30-42V	DC 30-40V	DC 28-42V	DC 24-42V	DC 24-42V
Rated output current	250mA	350mA	600mA	700mA	950mA
Dimming Option	Non-dimmable / 1-10V / Triac / DALI dimmable / Casambi				
Power tolerance	±5%				
Current output tolerance	±5%				
Protection Class	Class II				
Short circuit protection Over voltage protection Over temperature protection	PASS				
THD	<20%@230V				
Surge	L-N:2KV				
Withstand voltage	I/P-O/P:3.75KV AC				
Finishing color	Black / White				
Material	Aluminium				
IP Rating	IP20; IP65 on the visible part of the product once installed				
Lifetime (hr)	50,000				
Operating Temp.(°C)	-20°C~45°C				
Storage Temp.(°C)	-20°C~65°C				

Installation Procedure

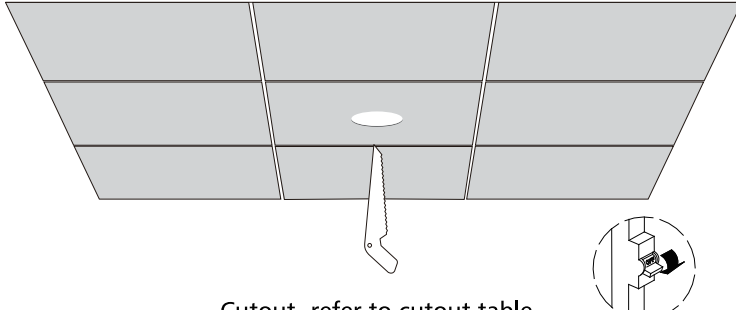
WARNING

1. Switch off before installation.
2. Switch on only after complete installation and examination of the circuit.
3. Professional electrician for installation and maintenance only.



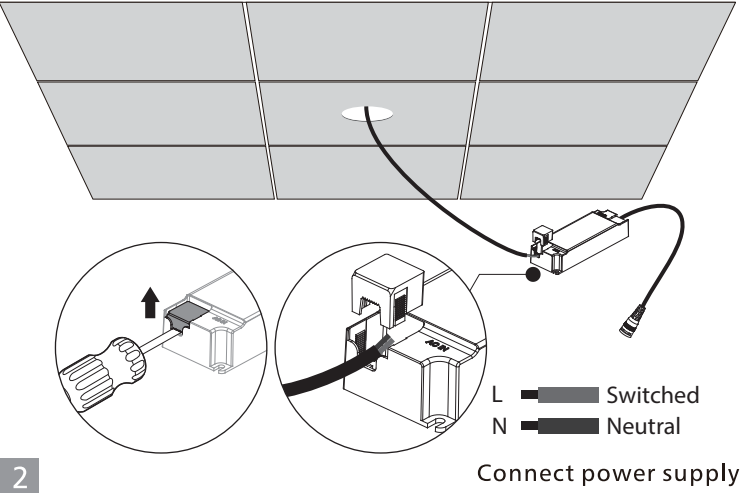
**Turn Off
Power Supply**



- Turn Off power supply before starting any installation. Read instructions & check you have all the tools & accessories to complete the installation correctly.



Cutout refer to cutout table

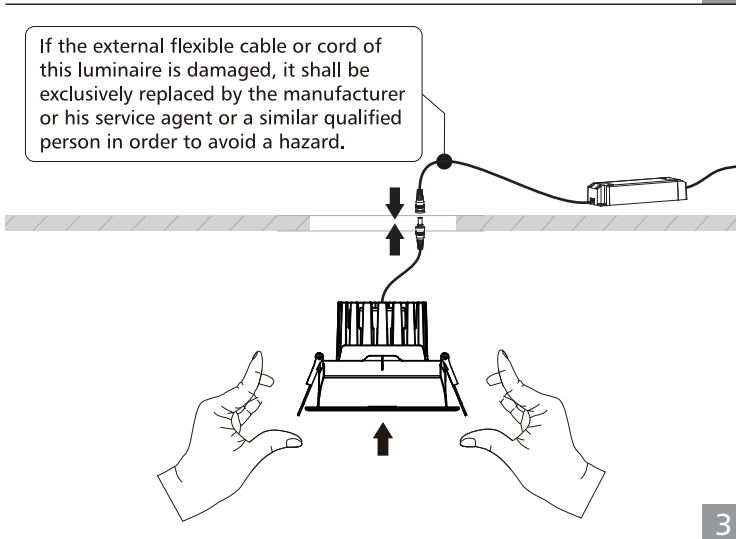
Item	Product Size (mm)	Cutout(mm)
1	Ø110*78	Ø95-100
2	Ø110*98	Ø95-100
3	Ø110*124	Ø95-100
4	Ø135*125	Ø120-125
5	Ø135*140	Ø120-125

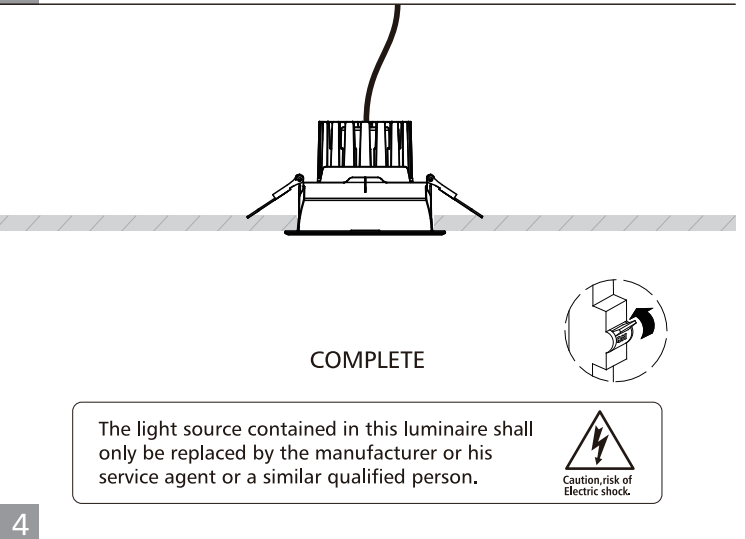


L  Switched
N  Neutral

Connect power supply


If the external flexible cable or cord of this luminaire is damaged, it shall be exclusively replaced by the manufacturer or his service agent or a similar qualified person in order to avoid a hazard.





COMPLETE

The light source contained in this luminaire shall only be replaced by the manufacturer or his service agent or a similar qualified person.


Caution, risk of Electric shock.