

## IBSP109 Series Recess Mount LED Light Adjustable |

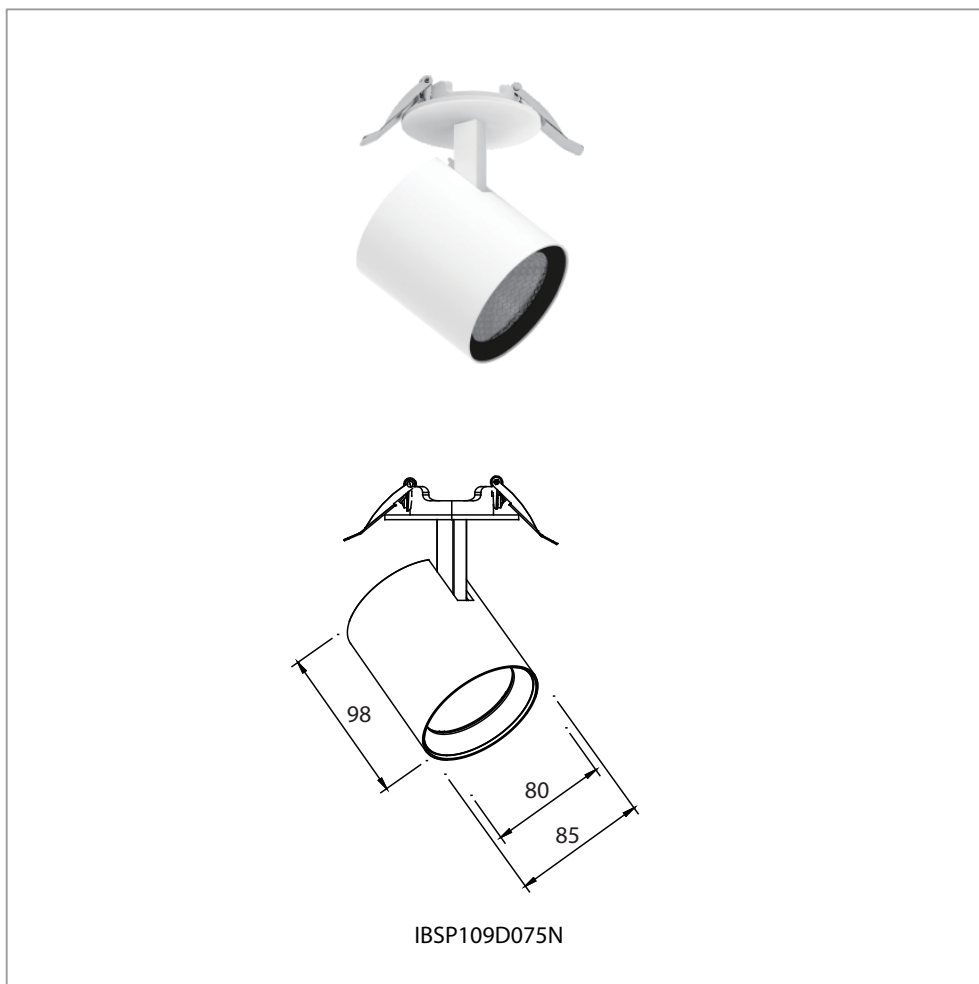
### Key Features

- Compact recessed design with minimal ceiling cutout for discreet integration
- Adjustable module allowing precise light direction
- Multiple beam angles for layered lighting strategies
- Balanced output with high efficiency and consistent performance
- Low glare optics enhancing visual comfort in close-range applications
- Clean trim finish supporting seamless architectural ceilings

### Applications

Designed for:

- Retail spaces for focused accent lighting
- Residential interiors such as living rooms and corridors
- Hospitality environments including guest rooms and circulation areas
- Office and commercial projects requiring subtle directional lighting



## Measurement

Model	Dimension(mm)			Product Weight (Kg)		Package weight (Kg)		Carton Size(cm)	Qty/CTN
	A	B	C	N.W/PC	G.W/PC	N.W/CTN	G.W/CTN		
IBSP109D075N	85	98	80	0.78	0.83	/	/	/	/

## Technical Specifications

Model No.	IBSP109CT075N	IBSP109CT075N
Size(mm)	Ø85*98	Ø85*98
Cutout(mm)	Ø75	Ø75
Watt(W)	20W	30W
Luminous Flux (lm) @4000K	2500	3600
Light Source	COB LED	
LED Brand	Bridgelux / Cree (standard) / Hongli (optional)	
SDCM	<5	
CCT(K)	2700K / 3000K / 3500K / 4000K / 5700K / 6500K	
CRI	Ra≥80/90	
Beam Angle (°)	15° /24° / 38° / 60°	
UGR	<19	
LED Driver	Lifud / BOKE / Tridonic	
Rated Input Voltage(V)	AC200-240V 50/60Hz	
Power Factor	>0.9	
Efficiency	≥86%	≥86%
Rated Input Current	≤0.14A	≤0.24A
Full load output voltage	DC 28-40V	DC 30-42V
Rated output current	550mA	750mA
Dimming Option	Non-dimmable / 1-10V / Triac / DALI dimmable / Casambi	
Power tolerance	±5%	
Current output tolerance	±5%	
Protection Class	Class II	
Short circuit protection Over voltage protection Over temperature protection	PASS	
THD	≤20%@230V	
Surge	L-N:2KV	
Withstand voltage	I/P-O/P:3.75KV AC	
Finishing color	Black / White	
Material	Aluminium	
IP Rating	IP20	
Lifetime (hr)	50,000	
Operating Temp.(°C)	-20°C~45°C	
Storage Temp.(°C)	-20°C~65°C	

# Installation Procedure

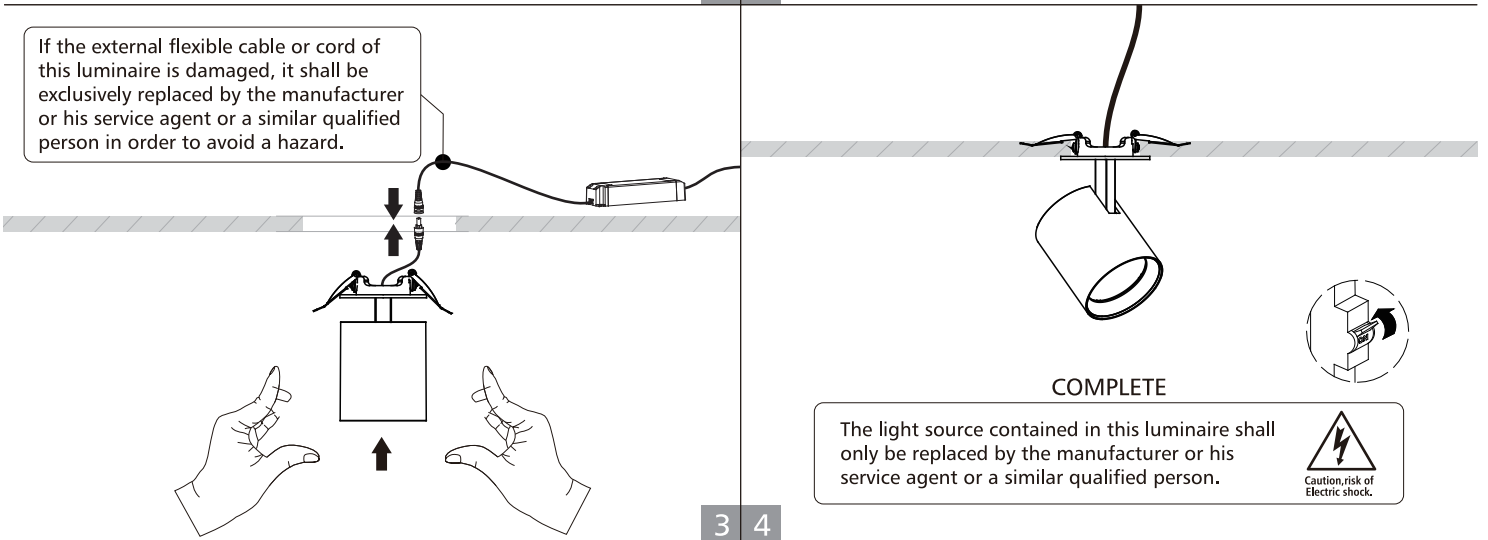
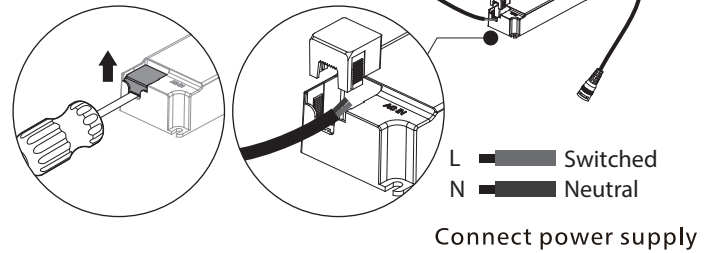
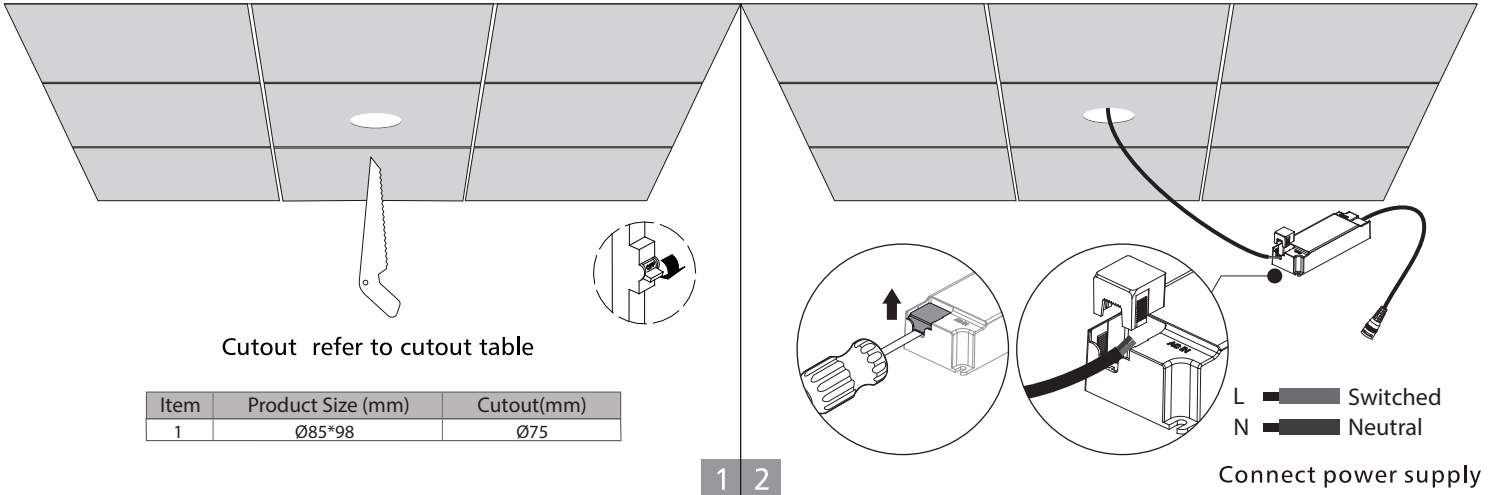
## WARNING

1. Switch off before installation.
2. Switch on only after complete installation and examination of the circuit.
3. Professional electrician for installation and maintenance only.




**Turn Off  
Power Supply**

- Turn Off power supply before starting any installation. Read instructions & check you have all the tools & accessories to complete the installation correctly.



**COMPLETE**

The light source contained in this luminaire shall only be replaced by the manufacturer or his service agent or a similar qualified person.



Caution, risk of Electric shock.