

IBSP107 Series

Adjustable LED Downlight |

Key Features

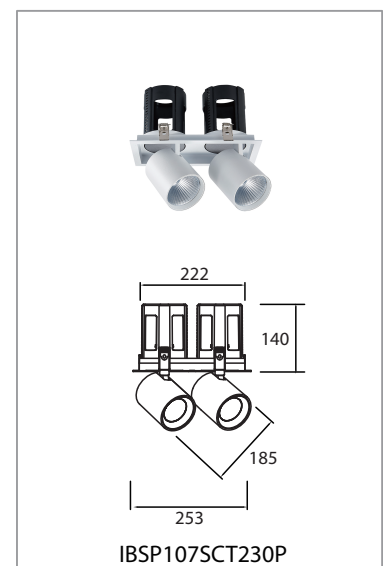
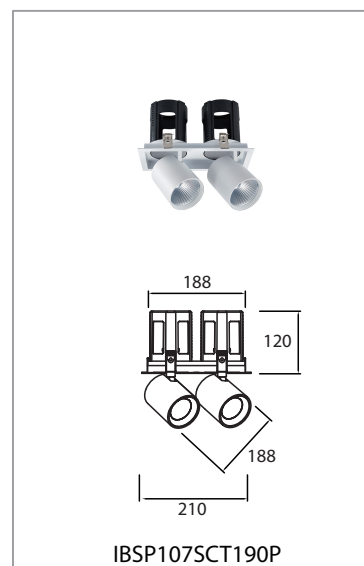
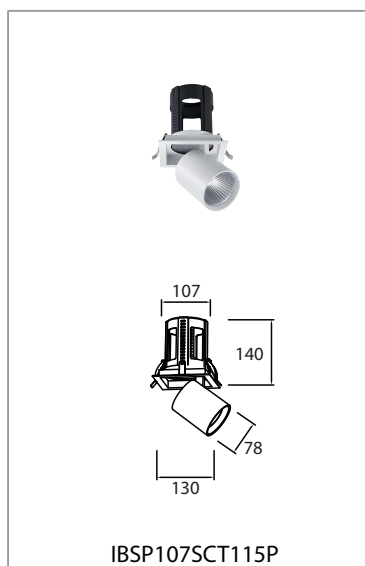
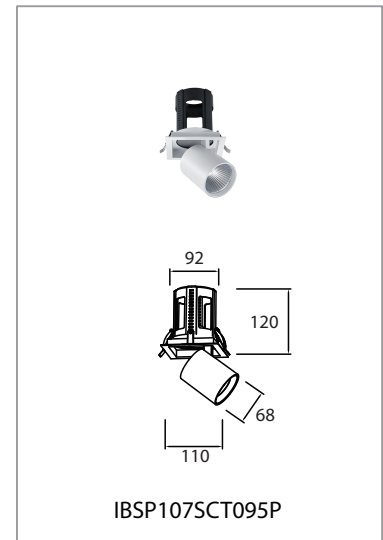
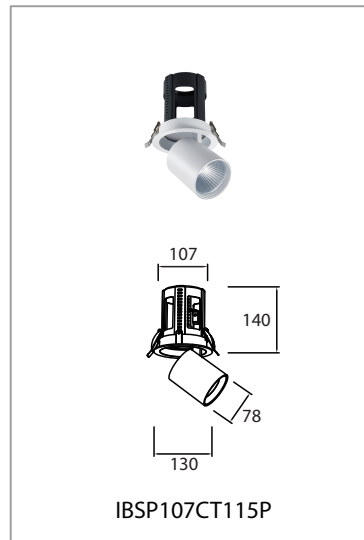
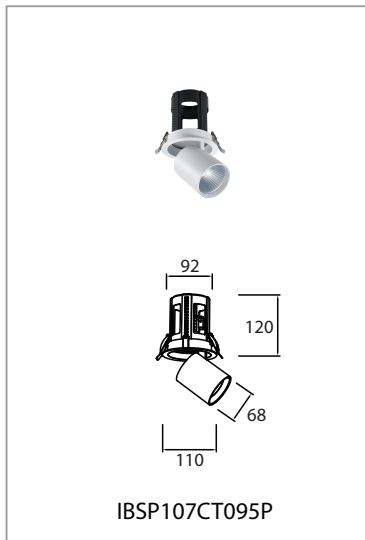
- **Wide Beam Flexibility (15°–60°)**
Comprehensive beam angle options support both precise accent lighting and general illumination, enhancing design versatility.
- **Reliable Thermal Design**
Die-cast aluminum housing with integrated heatsink ensures stable performance and long lifespan.
- **Clean Shallow Trim Design**
Slim recessed appearance with matte white or black finish, ideal for modern architectural spaces.



Applications

Designed for:

- **Hospitality** : Hotels, Lobbies, Guestrooms, Restaurants
- **Office & Corporate Spaces** : Meeting Rooms, Offices
- **Commercial & Retail** : Shops, Showrooms
- **Public Areas** : Corridors, Reception Areas



Measurement

Model	Dimension(mm)				Product Weight (Kg)		Package weight (Kg)		Carton Size(cm)	Qty/CTN
	A	B	C	D	N.W/PC	G.W/PC	N.W/CTN	G.W/CTN		
IBSP107CT095P	110	120	92	68	/	/	/	/	/	/
IBSP107CT115P	130	140	107	78	/	/	/	/	/	/
IBSP107SCT095P	110	120	92	68	/	/	/	/	/	/
IBSP107SCT115P	130	140	107	78	/	/	/	/	/	/
IBSP107SCT190P	210	120	188	165	/	/	/	/	/	/
IBSP107SCT230P	253	140	222	185	/	/	/	/	/	/

Technical Specifications

Model No.	IBSP107CT095P	IBSP107CT115P	IBSP107SCT095P	IBSP107SCT115P	IBSP107SCT190P	IBSP107SCT230P
Size(mm)	Ø110*120	Ø130*140	L110*W110*H120	L130*W130*H140	L210*W110*H120	L253*W130*H140
Cutout(mm)	Ø95	Ø115	L95*W95	L115*W115	L190*W95	L230*W115
Watt(W)	15W	25W	15W	25W	2*15W	2*25W
Luminous Flux (lm) @4000K	1500	2500	1500	2500	3000	5000
Light Source	COB LED					
LED Brand	Bridgelux / Cree (standard) / Hongli (optional)					
SDCM	<5					
CCT(K)	2700K / 3000K / 3500K / 4000K / 5700K / 6500K					
CRI	Ra≥80/90					
Beam Angle (°)	15° / 24° / 38° / 60°					
UGR	<19					
LED Driver	Lifud / BOKE / Tridonic					
Rated Input Voltage(V)	AC200-240V 50/60Hz					
Power Factor	>0.9					
Efficiency	≥82%	≥87%	≥82%	≥87%	≥82%	≥87%
Rated Input Current	≤0.08A	≤0.14A	≤0.08A	≤0.14A	≤0.08A	≤0.14A
Full load output voltage	DC 30-40V	DC 28-42V	DC 30-40V	DC 28-42V	DC 30-40V	DC 28-42V
Rated output current	350mA	600mA	350mA	600mA	2*350mA	2*600mA
Dimming Option	Non-dimmable / 1-10V / Triac / DALI dimmable / Casambi					
Power tolerance	±5%					
Current output tolerance	±5%					
Protection Class	Class II					
Short circuit protection Over voltage protection Over temperature protection	PASS					
THD	<20%@230V					
Surge	L-N:2KV					
Withstand voltage	I/P-O/P:3.75KV AC					
Finishing color	Black / White					
Material	Aluminium					
IP Rating	IP20					
Lifetime (hr)	50,000					
Operating Temp.(°C)	-20°C~45°C					
Storage Temp.(°C)	-20°C~65°C					

Installation Procedure

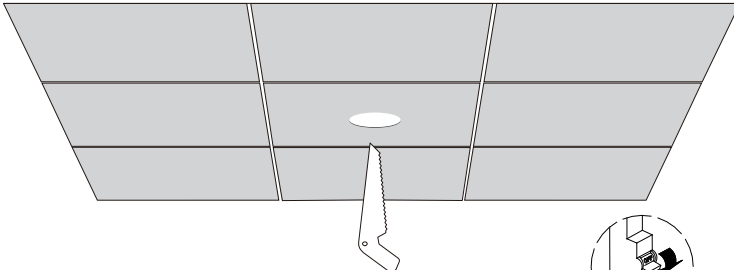
WARNING

1. Switch off before installation.
2. Switch on only after complete installation and examination of the circuit.
3. Professional electrician for installation and maintenance only.



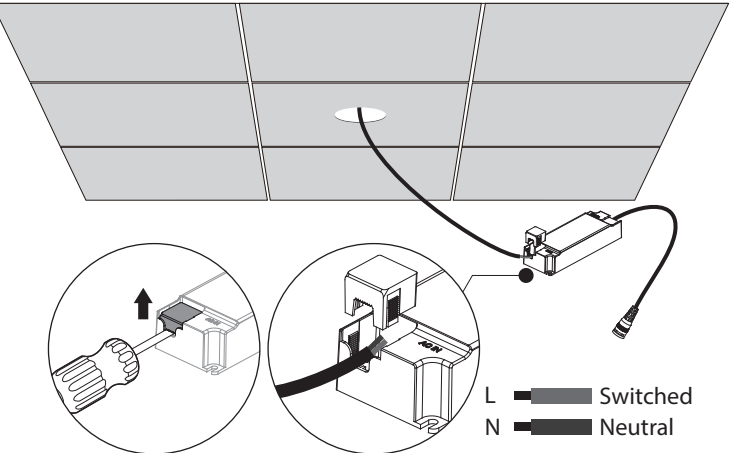
**Turn Off
Power Supply**



- Turn Off power supply before starting any installation. Read instructions & check you have all the tools & accessories to complete the installation correctly.



Cutout refer to cutout table

Item	Product Size (mm)	Cutout(mm)
1	Ø110*120	Ø95
2	Ø130*140	Ø115
3	L110*W110*H120	L95*W95
4	L130*W130*H140	L115*W115
5	L210*W110*H120	L190*W95
6	L253*W130*H140	L230*W115

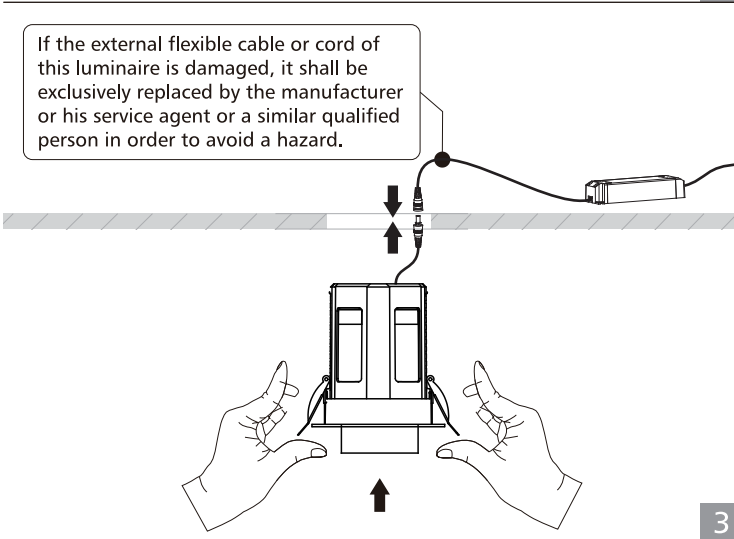


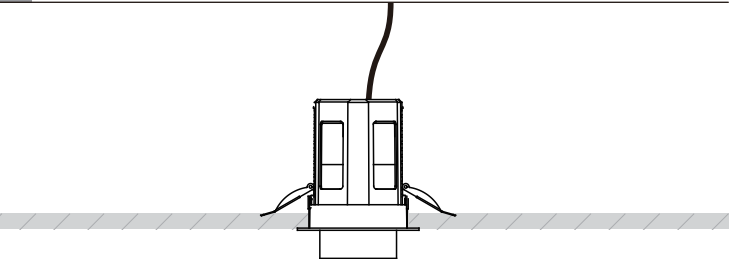
L  Switched
N  Neutral

Connect power supply

1 2


If the external flexible cable or cord of this luminaire is damaged, it shall be exclusively replaced by the manufacturer or his service agent or a similar qualified person in order to avoid a hazard.





COMPLETE

The light source contained in this luminaire shall only be replaced by the manufacturer or his service agent or a similar qualified person.


Caution, risk of Electric shock.

3 4