

IBDL252 Series Asymmetrical Beam & Deep Curve & Narrow Trim LED Downlight , IP20

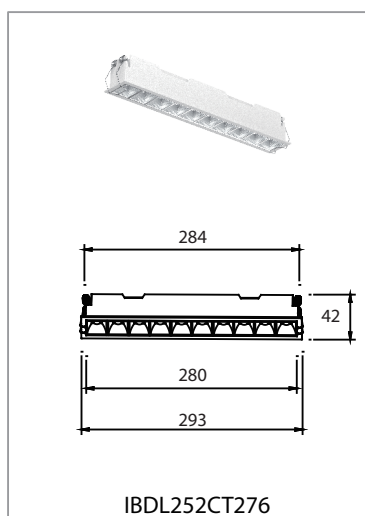
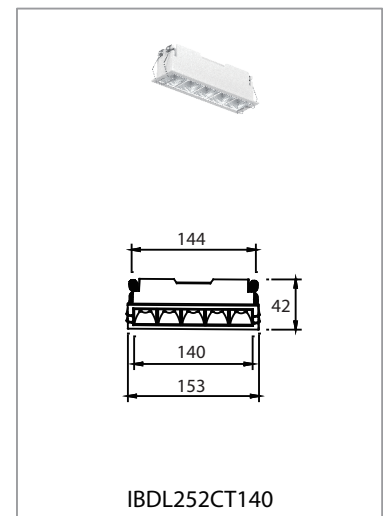
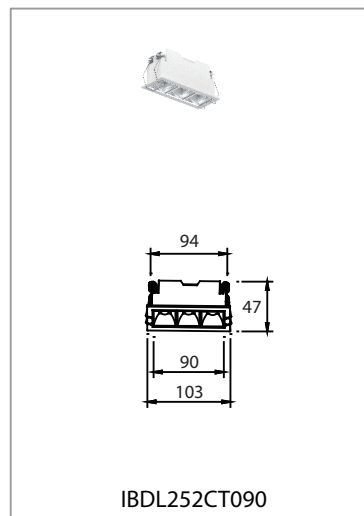
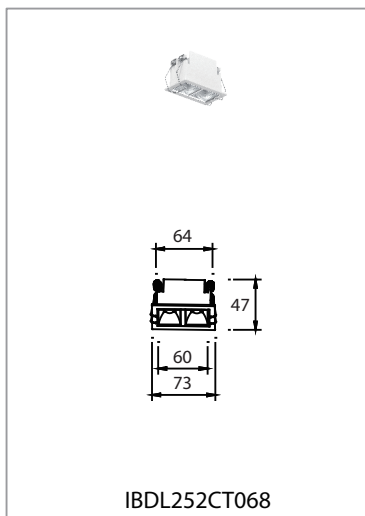
Key Features

- Reflector options
- External flicker free driver
- Clean ceiling integration with minimal visual intrusion
- Multiple wattage options within a unified housing platform

Applications

Designed for:

- **Hospitality** (Hotels, Lobbies, Guestrooms, Restaurants)
- **Commercial & Retail** (Shops, Showrooms)
- **Office & Corporate Spaces** (Meeting Rooms, Offices)
- **Public Areas** (Corridors, Reception Areas)



Measurement

Model	Dimension(mm)				Product Weight (Kg)		Package weight (Kg)		Carton Size(cm)	Qty/CTN
	A	B	C	D	N.W/PC	G.W/PC	N.W/CTN	G.W/CTN		
IBDL252CT068	73	47	64	60	/	/	/	/	/	/
IBDL252CT090	103	47	94	90	/	/	/	/	/	/
IBDL252CT140	153	42	144	140	/	/	/	/	/	/
IBDL252CT276	293	42	284	280	/	/	/	/	/	/

Technical Specifications

Model No.	IBDL252CT068	IBDL252CT090	IBDL252CT140	IBDL252CT276
Size(mm)	L73xW43xH47	L103xW43xH47	L153xW43xH42	L293xW43xH42
Cutout(mm)	L65xW35	L95xW35	L145xW35	L285xW35
Watt(W)	6W	9W	15W	30W
Luminous Flux (lm) @4000K	60	900	1500	3500
Light Source	SMD LED			
LED Brand	Bridgelux // Hongli (optional)			
SDCM	<5			
CCT(K)	2700K / 3000K / 3500K / 4000K / 5700K / 6500K			
CRI	Ra≥80/90			
Beam Angle (°)	50° / 80°			
UGR	<19			
LED Driver	Lifud / BOKE / Tridonic			
Rated Input Voltage(V)	AC200-240V 50/60Hz			
Power Factor	>0.9			
Efficiency	≥82%	≥82%	≥82%	≥87%
Rated Input Current	≤0.08A	≤0.08A	≤0.08A	≤0.14A
Full load output voltage	DC 30-42V	DC 30-40V	DC 30-40V	DC 28-42V
Rated output current	150mA	200mA	350mA	750mA
Dimming Option	Non-dimmable / 1-10V / Triac / DALI dimmable / Casambi			
Power tolerance	±5%			
Current output tolerance	±5%			
Protection Class	Class II			
Short circuit protection Over voltage protection Over temperature protection	PASS			
THD	<20%@230V			
Surge	L-N:2KV			
Withstand voltage	I/P-O/P:3.75KV AC			
Finishing color	Black / White			
Material	Aluminium			
IP Rating	IP20			
Lifetime (hr)	50,000			
Operating Temp.(°C)	-20°C~45°C			
Storage Temp.(°C)	-20°C~65°C			

Installation Procedure

WARNING



1. Switch off before installation.
2. Switch on only after complete installation and examination of the circuit.
3. Professional electrician for installation and maintenance only.



- Turn Off power supply before starting any installation. Read instructions & check you have all the tools & accessories to complete the installation correctly.

Cutout refer to cutout table

Item	Product Size (mm)	Cutout(mm)
1	L73xW43xH47	L65xW35
2	L103xW43xH47	L95xW35
3	L153xW43xH42	L145xW35
4	L293xW43xH42	L285xW35

L  Switched
N  Neutral


Connect power supply

1 2

If the external flexible cable or cord of this luminaire is damaged, it shall be exclusively replaced by the manufacturer or his service agent or a similar qualified person in order to avoid a hazard.

COMPLETE

The light source contained in this luminaire shall only be replaced by the manufacturer or his service agent or a similar qualified person.



3 4