

## IBDL125 Series Recessed LED Downlight | 60°, Ultra Low UGR<13 IP65, Safely Glass

### Key Features

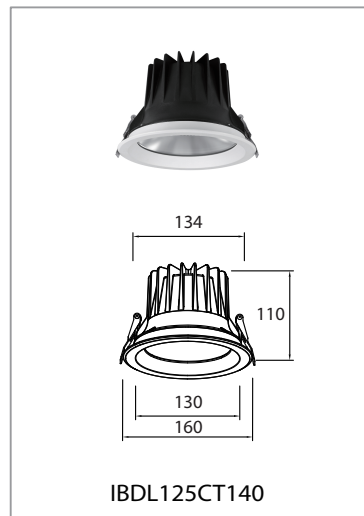
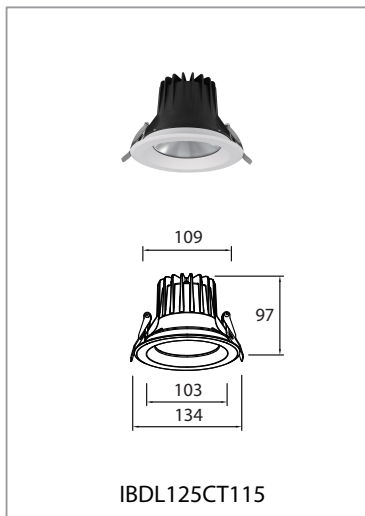
- **Optimized Beam Performance**  
60° medium beam, ideal for both general illumination and accent lighting applications.
- **Ultra-Low Glare Comfort**  
UGR < 13 ensures exceptional visual comfort, perfect for high-end architectural environments.
- **Robust Thermal Management**  
Die-cast aluminum housing with integrated heatsink for efficient heat dissipation and long lifespan.
- **Enhanced Safety Protection**  
Equipped with safety glass, suitable for demanding commercial and public projects.
- **IP65 Front Protection**  
Reliable performance in humid and semi-outdoor environments.



### Applications

Designed for:

- **Hospitality** : Hotels, resorts, restaurants
- **Office & Corporate Spaces** : Offices, meeting rooms, reception areas
- **Healthcare & Education** : Hospitals, clinics, schools
- **Commercial & Retail** : Shopping malls, boutiques, showrooms
- **Public & Infrastructure** : Corridors, hallways, lobbies



## Measurement

Model	Dimension(mm)				Product Weight (Kg)		Package weight (Kg)		Carton Size(cm)	Qty/CTN
	A	B	C	D	N.W/PC	G.W/PC	N.W/CTN	G.W/CTN		
IBDL125CT115	134	97	109	103	/	/	/	/	/	/
IBDL125CT140	160	110	134	130	/	/	/	/	/	/
IBDL125CT200	227	129	193	189	/	/	/	/	/	/

## Technical Specifications

Model No.	IBDL125CT115	IBDL125CT140	IBDL125CT200
Size(mm)	Ø134*97	Ø160*110	Ø227*129
Cutout(mm)	Ø110-125	Ø135-150	Ø195-215
Watt(W)	18W	28W	48W
Luminous Flux (lm) @4000K	2000	3200	5500
Light Source	SMD LED		
LED Brand	Bridgelux / Hongli (optional)		
SDCM	<5		
CCT(K)	2700K / 3000K / 3500K / 4000K / 5700K / 6500K		
CRI	Ra≥80/90		
Beam Angle (°)	60°		
UGR	<13		
LED Driver	Lifud / BOKE / Tridonic		
Rated Input Voltage(V)	AC200-240V 50/60Hz		
Power Factor	>0.9		
Efficiency	≥82%	≥87%	≥89%
Rated Input Current	≤0.08A	≤0.24A	≤0.3A
Full load output voltage	DC 30-40V	DC 24-42V	DC 24-42V
Rated output current	450mA	700mA	1200mA
Dimming Option	Non-dimmable / 1-10V / Triac / DALI dimmable / Casambi		
Power tolerance	±5%		
Current output tolerance	±5%		
Protection Class	Class II		
Short circuit protection Over voltage protection Over temperature protection	PASS		
THD	<20%@230V		
Surge	L-N:2KV		
Withstand voltage	I/P-O/P:3.75KV AC		
Finishing color	Black / White		
Material	Aluminium		
IP Rating	IP20; IP65 on the visible part of the product once installed		
Lifetime (hr)	50,000		
Operating Temp.(°C)	-20°C~45°C		
Storage Temp.(°C)	-20°C~65°C		

# Installation Procedure

## WARNING

1. Switch off before installation.
2. Switch on only after complete installation and examination of the circuit.
3. Professional electrician for installation and maintenance only.



**Turn Off  
Power Supply**

Turn Off power supply before starting any installation. Read instructions & check you have all the tools & accessories to complete the installation correctly.

