

# IBSP101S Series

## Deep trim Recessed LED Downlight |

### Safety Glass, Honeycomb Louver Optional

#### Key Features

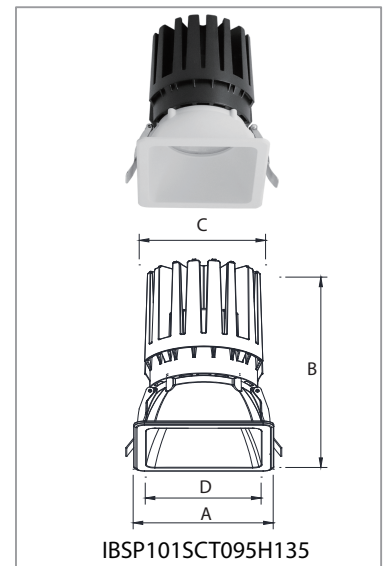
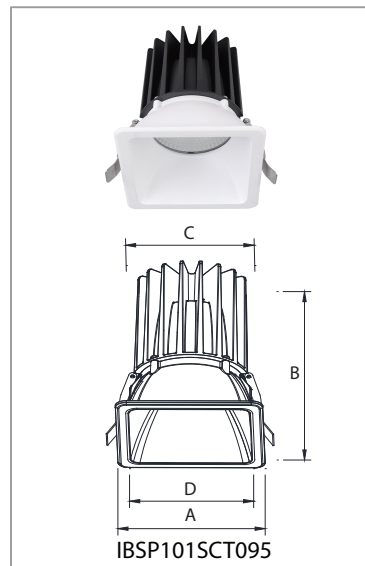
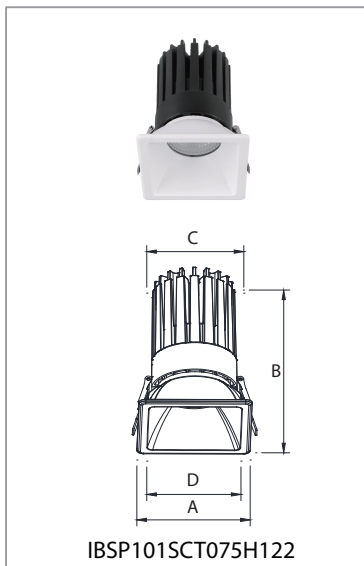
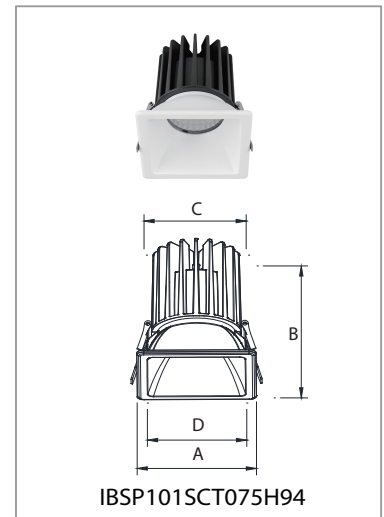
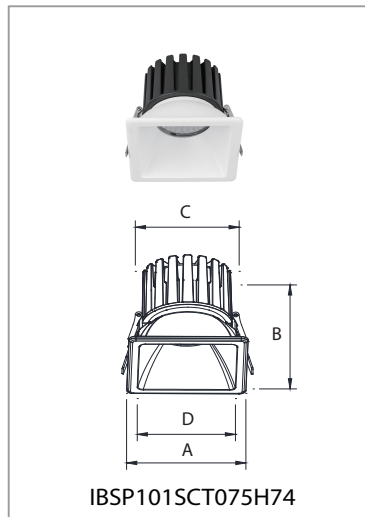
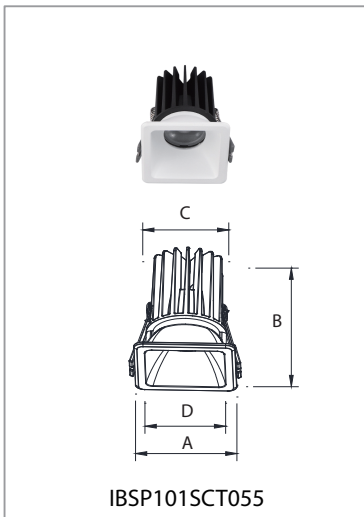
- Deep Recessed Design for Superior Visual Comfort**  
 The deep trim structure effectively reduces glare, delivering a more comfortable and refined lighting experience in high-end spaces.
- Wide Beam Flexibility (15°–60°)**  
 Comprehensive beam angle options support both precise accent lighting and general illumination, enhancing design versatility.
- Optional Honeycomb Louver for Glare Control**  
 Further minimizes glare and improves visual comfort, ideal for premium architectural and hospitality environments.
- IP65 Front Protection with Safety Glass**  
 Designed for durability in humid and semi-outdoor conditions, ensuring reliability across demanding applications.
- Broad Power Range (8W–40W)**  
 Flexible lumen packages accommodate various ceiling heights and lighting intensities within one product family.



#### Applications

Designed for:

- Hospitality :** Hotels, Lobbies, Guestrooms, Restaurants
- Commercial & Retail :** Shops, Showrooms
- Office & Corporate Spaces :** Meeting Rooms, Offices
- Public Areas :** Corridors, Reception Areas
- Wellness & SPA :** Bathrooms, Spa Areas



## Measurement

Model	Dimension(mm)				Product Weight (Kg)		Package weight (Kg)		Carton Size(cm)	Qty/CTN
	A	B	C	D	N.W/PC	G.W/PC	N.W/CTN	G.W/CTN		
IBSP101SCT055	65	76	55	51	/	/	/	/	/	/
IBSP101SCT075H74	85	74	75	69	/	/	/	/	/	/
IBSP101SCT075H94	85	94	75	69	/	/	/	/	/	/
IBSP101SCT075H122	85	122	75	69	/	/	/	/	/	/
IBSP101SCT095	105	120	91	88	/	/	/	/	/	/
IBSP101SCT095H135	105	135	91	88	/	/	/	/	/	/

## Technical Specifications

Model No.	IBSP101SCT055	IBSP101SCT075H74	IBSP101SCT075H94	IBSP101SCT075H122	IBSP101SCT095	IBSP101SCT095H135
Size(mm)	L65*W65*H76	L85*W85*H74	L85*W85*H94	L85*W85*H122	L105*W105*H120	L105*W105*H135
Cutout(mm)	L55*W55-L58*W58	L75*W75-L78*W78	L75*W75-L78*W78	L75*W75-L78*W78	L95*W95-L98*W98	L95*W95-L98*W98
Watt(W)	8W	10W	15W	25W	28W	40W
Luminous Flux (lm) @4000K	800	1000	1500	2500	2800	4000
Light Source	COB LED					
LED Brand	Bridgelux / Cree (standard) / Hongli (optional)					
SDCM	<5					
CCT(K)	2700K / 3000K / 3500K / 4000K / 5700K / 6500K					
CRI	Ra≥80/90					
Beam Angle (°)	15° / 24° / 36° / 50°	15° / 24° / 38° / 45° / 60°				
UGR	<19					
LED Driver	Lifud / BOKE / Tridonic					
Rated Input Voltage(V)	AC200-240V 50/60Hz					
Power Factor	>0.9					
Efficiency	≥82%	≥82%	≥82%	≥87%	≥87%	≥87%
Rated Input Current	≤0.07A	≤0.08A	≤0.08A	≤0.14A	≤0.24A	≤0.24A
Full load output voltage	DC 30-40V	DC 30-42V	DC 30-40V	DC 28-42V	DC 24-42V	DC 24-42V
Rated output current	200mA	250mA	350mA	600mA	700mA	950mA
Dimming Option	Non-dimmable / 1-10V / Triac / DALI dimmable / Casambi					
Power tolerance	±5%					
Current output tolerance	±5%					
Protection Class	Class II					
Short circuit protection Over voltage protection Over temperature protection	PASS					
THD	<20%@230V					
Surge	L-N:2KV					
Withstand voltage	I/P-O/P:3.75KV AC					
Finishing color	Black / White					
Material	Aluminium					
IP Rating	IP20; IP65 on the visible part of the product once installed					
Lifetime (hr)	50,000					
Operating Temp.(°C)	-20°C~45°C					
Storage Temp.(°C)	-20°C~65°C					

# Installation Procedure

## WARNING

1. Switch off before installation.
2. Switch on only after complete installation and examination of the circuit.
3. Professional electrician for installation and maintenance only.





Turn Off power supply before starting any installation. Read instructions & check you have all the tools & accessories to complete the installation correctly.

Cutout refer to cutout table

Item	Product Size (mm)	Cutout(mm)
1	L65*W65*H76	L55*W55-L58*W58
2	L85*W85*H74	L75*W75-L78*W78
3	L85*W85*H94	L75*W75-L78*W78
4	L85*W85*H122	L75*W75-L78*W78
5	L105*W105*H120	L95*W95-L98*W98
6	L105*W105*H135	L95*W95-L98*W98

Connect power supply

L  Switched  
N  Neutral

1 2

If the external flexible cable or cord of this luminaire is damaged, it shall be exclusively replaced by the manufacturer or his service agent or a similar qualified person in order to avoid a hazard.

COMPLETE

The light source contained in this luminaire shall only be replaced by the manufacturer or his service agent or a similar qualified person.

3 4