

IBDL226S Series Deep Trim Square Recessed LED Downlight | Optional CCT Switch

Key Features

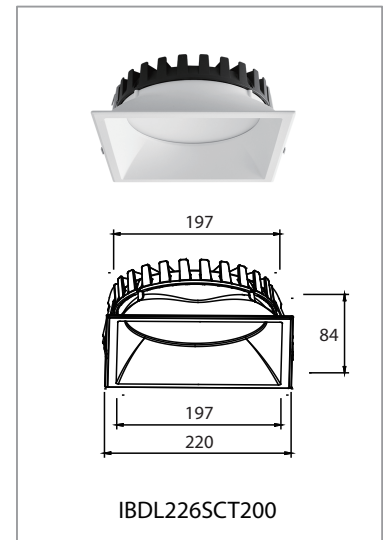
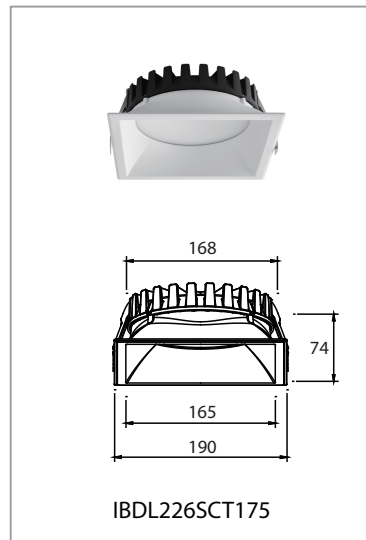
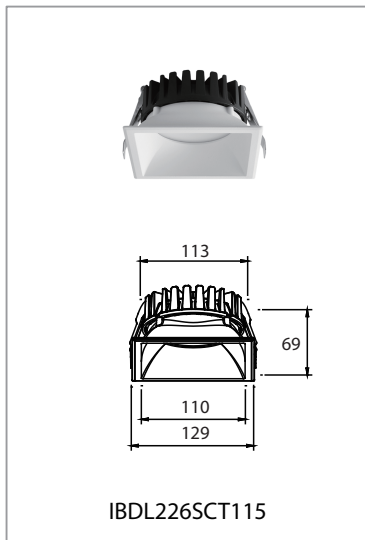
- **Wide Beam Illumination**
85° beam angle, ideal for broad and uniform general lighting.
- **Flexible CCT Switching**
Optional CCT switch (2700K–6500K), enabling on-site adjustment for different project needs.
- **Efficient Light Output**
Up to 5000 lm with optimized efficacy, suitable for medium to high ceiling applications.
- **Dual Optical Comfort Options**
Available with reflector or prismatic diffuser to balance brightness, uniformity, and visual comfort.
- **Flexible Protection Levels**
IP20 / IP54 (visible part after installation), adaptable to various indoor environments.



Applications

Designed for:

- **Hospitality** : Hotels, Lobbies, Guestrooms, Restaurants
- **Office & Corporate Spaces** : Meeting Rooms, Offices
- **Wellness & SPA** : Bathrooms, Spa Areas
- **Commercial & Retail** : Shops, Showrooms
- **Public Areas** : Corridors, Reception Areas



Measurement

Model	Dimension(mm)				Product Weight (Kg)		Package weight (Kg)		Carton Size(cm)	Qty/CTN
	A	B	C	D	N.W/PC	G.W/PC	N.W/CTN	G.W/CTN		
IBDL226SCT115	129	69	113	110	0.41	0.46	6.6	8.1	L610*W240*H430	16
IBDL226SCT175	190	74	168	165	0.71	0.76	10.7	12.1	L470*W470*H520	15
IBDL226SCT200	220	84	197	194	0.99	1.04	11.9	13.2	L470*W470*H520	12

Technical Specifications

Model No.	IBDL226CT115	IBDL226CT175	IBDL226CT200
Size(mm)	L129*W129*H69	L190*W190*H74	L190*W190*H74
Cutout(mm)	L115*W115-L120*W120	L170*W170-L180*W180	L200*W200-L210*W210
Watt(W)	20W	35W	42W
Luminous Flux (lm) @4000K	2000	3900	5000
Light Source	SMD LED		
LED Brand	Bridgelux / Hongli (optional)		
SDCM	<5		
CCT(K)	2700K / 3000K / 3500K / 4000K / 5700K / 6500K		
CRI	Ra≥80/90		
Beam Angle (°)	85°		
UGR	<22		
LED Driver	Lifud / BOKE / Tridonic		
Rated Input Voltage(V)	AC200-240V 50/60Hz		
Power Factor	>0.9		
Efficiency	≥86%	≥87%	≥87%
Rated Input Current	≤0.14A	≤0.24A	≤0.24A
Full load output voltage	DC 28-42V	DC 30-42V	DC30-40V
Rated output current	500mA	900mA	1000mA
Dimming Option	Non-dimmable / 1-10V / Triac / DALI dimmable / Casambi		
Power tolerance	±5%		
Current output tolerance	±5%		
Protection Class	Class II		
Short circuit protection Over voltage protection Over temperature protection	PASS		
THD	<20%@230V		
Surge	L-N:2KV		
Withstand voltage	I/P-O/P:3.75KV AC		
Finishing color	Black / White		
Material	Aluminium		
IP Rating	IP20; IP54 on the visible part of the product once installed		
Lifetime (hr)	50,000		
Operating Temp.(°C)	-20°C~45°C		
Storage Temp.(°C)	-20°C~65°C		

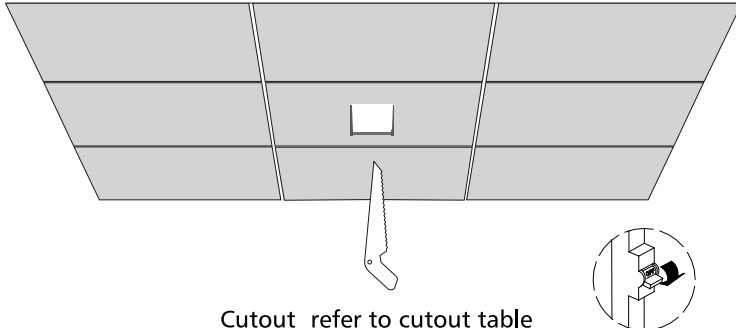
Installation Procedure

WARNING

1. Switch off before installation.
2. Switch on only after complete installation and examination of the circuit.
3. Professional electrician for installation and maintenance only.

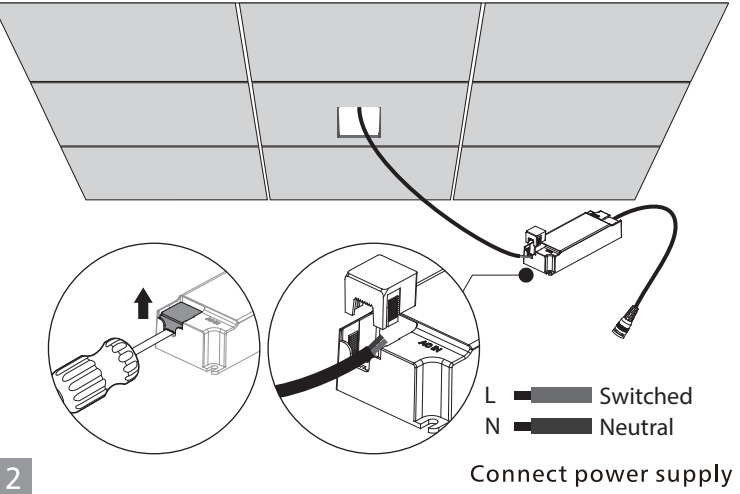


Turn Off power supply before starting any installation. Read instructions & check you have all the tools & accessories to complete the installation correctly.





Cutout refer to cutout table

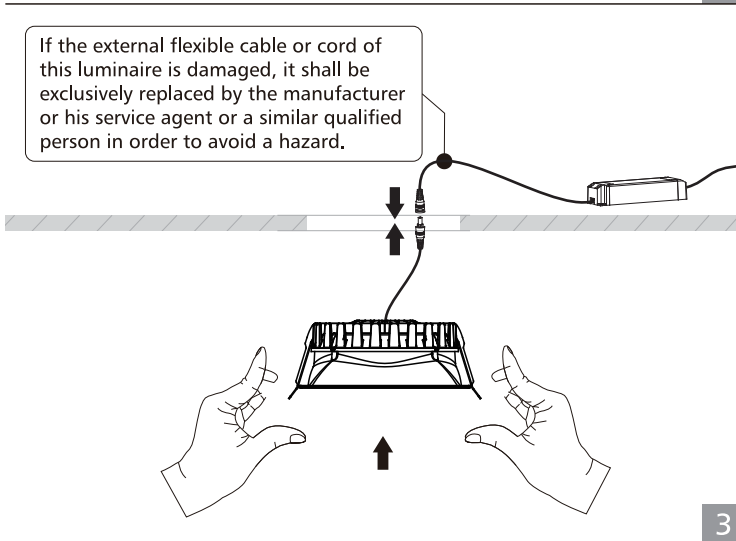
Item	Product Size (mm)	Cutout(mm)
1	L129*W129*H69	L115*W115
2	L190*W190*H74	L170*W170
3	L190*W190*H74	L200*W200

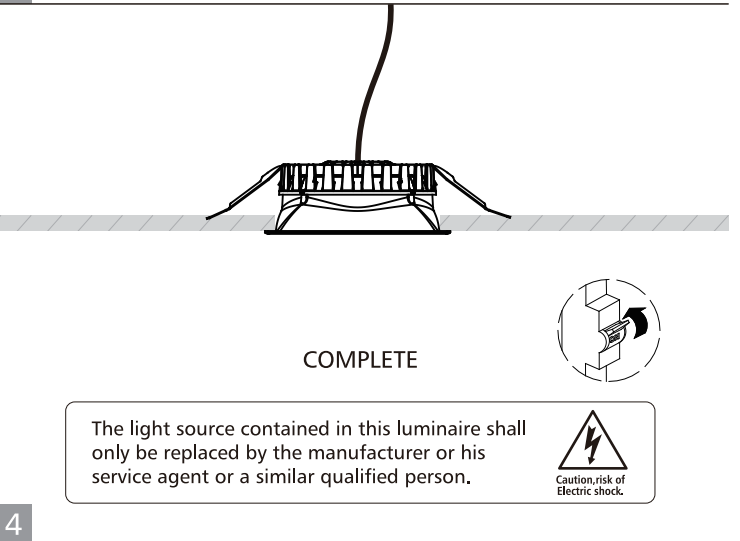


Connect power supply

L  Switched
N  Neutral

If the external flexible cable or cord of this luminaire is damaged, it shall be exclusively replaced by the manufacturer or his service agent or a similar qualified person in order to avoid a hazard.





COMPLETE

The light source contained in this luminaire shall only be replaced by the manufacturer or his service agent or a similar qualified person.

