

# IBDL127 Series 130lm/W Recessed LED Downlight | 60°, UGR<19 , Mirror/Black Reflector Customizable Logo Plate for Branding

## Key Features

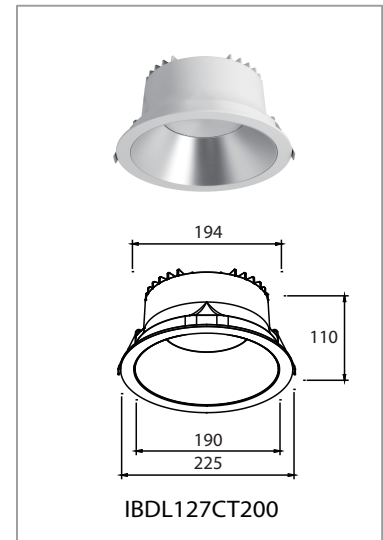
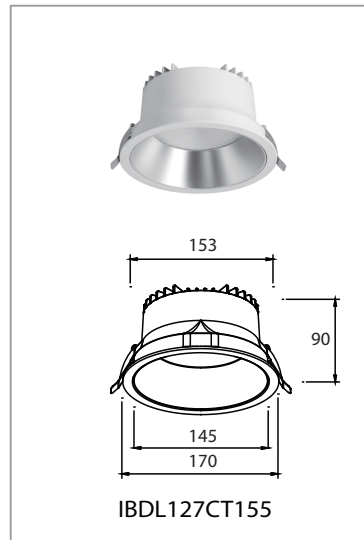
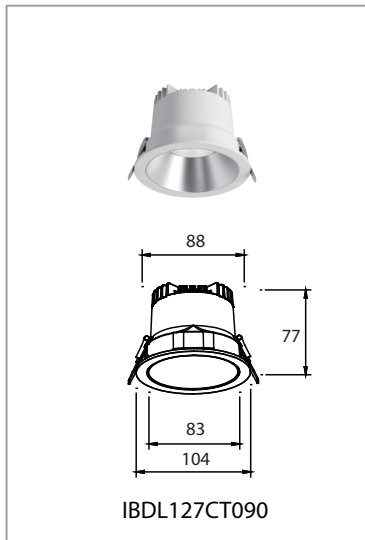
- **High Efficiency Performance**  
Up to 130 lm/W, delivering excellent energy efficiency with CRI 90 for high-quality lighting.
- **Balanced Beam Control**  
60° beam angle, suitable for both general illumination and focused lighting applications.
- **Flexible Reflector Options**  
Mirror / golden / matt silver / matt black reflectors available to match different design aesthetics.
- **Custom Branding Capability**  
Customizable logo plate, ideal for brand projects and OEM/ODM requirements.
- **Reliable Construction**  
Die-cast aluminum housing with efficient heat dissipation for long-term stability.



## Applications

Designed for:

- **Hospitality** : Hotels, restaurants, lounges
- **Office & Corporate** : Offices, meeting rooms, reception areas
- **Commercial & Retail** : Shopping malls, boutiques, showrooms
- **Public Areas** : Corridors, lobbies, hallways



## Measurement

Model	Dimension(mm)				Product Weight (Kg)		Package weight (Kg)		Carton Size(cm)	Qty/CTN
	A	B	C	D	N.W/PC	G.W/PC	N.W/CTN	G.W/CTN		
IBDL127CT090	104	77	88	83	0.26	0.31	8.3	10.7	L500*W380*H260	32
IBDL127CT155	170	90	153	145	0.5	0.55	9	10.8	L535*W360*H395	18
IBDL127CT200	225	110	194	190	0.77	0.83	6.2	7.5	L620*W260*H480	8

## Technical Specifications

Model No.	IBDL127CT090	IBDL127CT155	IBDL127CT200
Size(mm)	Ø104*77	Ø170*90	Ø225*110
Cutout(mm)	Ø90-95	Ø155-160	Ø195-215
Watt(W)	15W	25W	35W
Luminous Flux (lm) @4000K	1900	3200	4700
Light Source	SMD LED		
LED Brand	Bridgelux / Hongli (optional)		
SDCM	<5		
CCT(K)	2700K / 3000K / 3500K / 4000K / 5700K / 6500K		
CRI	Ra≥80/90		
Beam Angle (°)	60°		
UGR	<19		
LED Driver	Lifud / BOKE / Tridonic		
Rated Input Voltage(V)	AC200-240V 50/60Hz		
Power Factor	>0.9		
Efficiency	≥90%	≥92%	≥92%
Rated Input Current	≤0.14A	≤0.23A	≤0.23A
Full load output voltage	DC 28-42V	DC 28-42V	DC 28-42V
Rated output current	400mA	650mA	900mA
Dimming Option	Non-dimmable / 1-10V / Triac / DALI dimmable / Casambi		
Power tolerance	±5%		
Current output tolerance	±5%		
Protection Class	Class II		
Short circuit protection Over voltage protection Over temperature protection	PASS		
THD	<20%@230V		
Surge	L-N:1KV		
Withstand voltage	I/P-O/P:3.75KV AC		
Finishing color	Black / White		
Material	Aluminium		
IP Rating	IP20		
Lifetime (hr)	50,000		
Operating Temp.(°C)	-20°C~60°C		
Storage Temp.(°C)	-20°C~80°C		

# Installation Procedure

## WARNING

1. Switch off before installation.
2. Switch on only after complete installation and examination of the circuit.
3. Professional electrician for installation and maintenance only.



- Turn Off power supply before starting any installation. Read instructions & check you have all the tools & accessories to complete the installation correctly.

Cutout refer to cutout table

Item	Product Size (mm)	Cutout(mm)
1	Ø104*77	Ø90-95
2	Ø170*90	Ø155-160
3	Ø225*110	Ø195-215

L — Switched  
N — Neutral

**Connect power supply**

1 2

If the external flexible cable or cord of this luminaire is damaged, it shall be exclusively replaced by the manufacturer or his service agent or a similar qualified person in order to avoid a hazard.

**COMPLETE**

The light source contained in this luminaire shall only be replaced by the manufacturer or his service agent or a similar qualified person.

**Caution, risk of  
Electric shock.**

3 4