

# IBSP133 Series LED Downlight-IP65 | Honeycomb Louver Optional

## Key Features

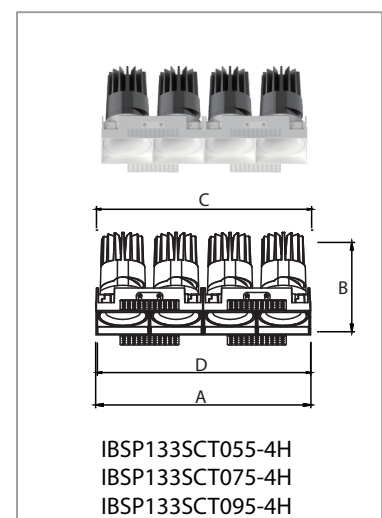
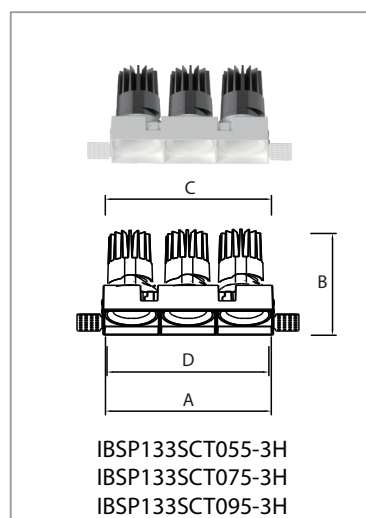
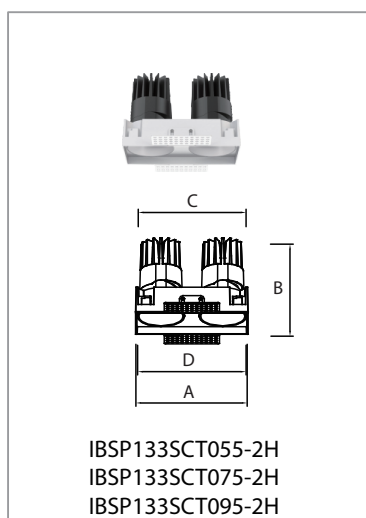
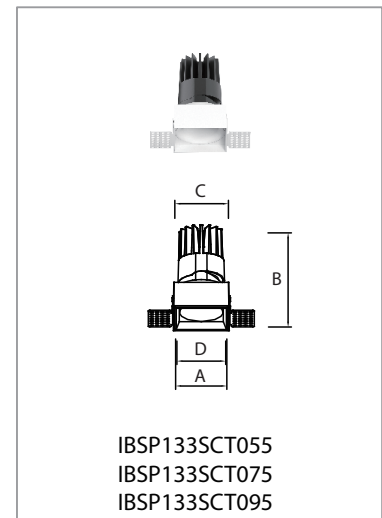
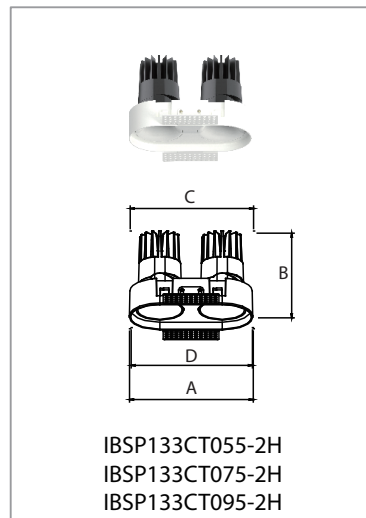
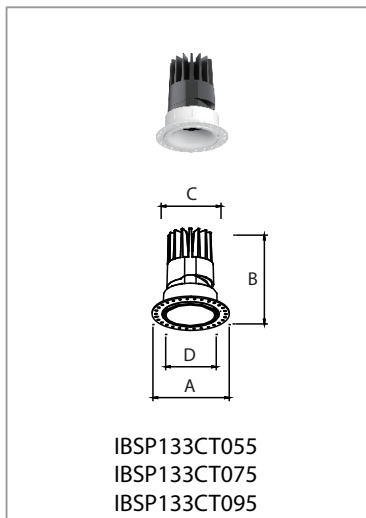
- **Modular Multi-Configuration System**  
Available in single, double, triple, and quadruple configurations, enabling flexible layout design across projects.
- **IP Rated for Versatile Environments**  
Suitable for both standard and humid environments, ensuring reliability in a wide range of applications.
- **Flexible Optical Choices**  
Compatible with various reflectors and finishes, allowing adaptation to different lighting atmospheres.
- **Compact Architectural Integration**  
Clean and minimal design with multiple trim options for seamless ceiling integration.
- **Reliable Performance Platform**  
Stable output and efficient thermal management ensure long service life in everyday applications.



## Applications

Designed for:

- **Hospitality** : Guestrooms, corridors, and public areas requiring consistent and comfortable lighting.
- **Residential** : Living spaces, kitchens, and circulation areas with a clean and modern lighting approach.
- **Commercial & Office** : General lighting for offices, meeting rooms, and shared spaces.
- **Retail** : Suitable for ambient lighting and basic display illumination.



## Measurement

Model	Dimension(mm)				Model	Dimension(mm)			
	A	B	C	D		A	B	C	D
IBSP133CT055	75	85	52	44	IBSP133SCT055-2H	116	90	116	111
IBSP133CT075	95	110	72	63	IBSP133SCT075-2H	163	121	163	160
IBSP133CT095	115	130	91	82	IBSP133SCT095-2H	207	142	207	203
IBSP133CT055-2H	126	90	126	121	IBSP133SCT055-3H	160	93	160	156
IBSP133CT075-2H	177	121	177	174	IBSP133SCT075-3H	218	121	218	215
IBSP133CT095-2H	222	142	222	216	IBSP133SCT095-3H	279	146	279	275
IBSP133SCT055	54	93	54	51	IBSP133SCT055-4H	215	93	215	211
IBSP133SCT075	74	121	74	70	IBSP133SCT075-4H	292	121	292	288
IBSP133SCT095	94	146	94	90	IBSP133SCT095-4H	372	146	372	368

## Technical Specifications

Model No.	IBSP133CT055 IBSP133CT075 IBSP133CT095	IBSP133CT055-2H IBSP133CT075-2H IBSP133CT095-2H	IBSP133SCT055 IBSP133SCT075 IBSP133SCT095	IBSP133SCT055-2H IBSP133SCT075-2H IBSP133SCT095-2H	IBSP133SCT055-3H IBSP133SCT075-3H IBSP133SCT095-3H	IBSP133SCT055-4H IBSP133SCT075-4H IBSP133SCT095-4H	
Size(mm)	Ø75*H85 Ø95*H110 Ø115*H130	L126*W65*H90 L177*W88*H121 L222*W108*H142	L54*W54*H93 L74*W74*H121 L94*W94*H146	L116*W55*H90 L163*W74*H121 L207*W94*H142	L160*W55*H93 L218*W74*H121 L279*W94*H146	L215*W55*H93 L292*W74*H121 L372*W94*H146	
Cutout(mm)	Ø55 Ø75 Ø95	L129*Ø70 L180*Ø93 L225*Ø113	L59*W56 L79*W76 L99*W96	L120*W60 L166*W80 L210*W100	L165*W57 L223*W76 L285*W96	L218*W60 L295*W80 L375*W100	
Watt(W)	8W 18W 25W	2*8W 2*18W 2*25W	8W 18W 25W	2*8W 2*18W 2*25W	3*8W 3*18W 3*25W	4*8W 4*18W 4*25W	
Optical	Luminous Flux (lm) @4000K	600 1400 2000	1100 2700 3900	600 1400 2000	1100 2700 3900	1700 4100 5900	2200 5400 7800
	Light Source	COB LED					
	LED Brand	Bridgelux / Cree (standard) / Hongli (optional)					
	SDCM	<5					
	CCT(K)	2700K / 3000K / 3500K / 4000K / 5700K / 6500K					
	CRI	Ra≥80/90					
	Beam Angle (°)	15° / 24° / 36° / 60°					
	UGR	<16					

## Technical Specifications

Model No.	IBSP133CT055	IBSP133CT075	IBSP133CT095	
	IBSP133CT055-2H	IBSP133CT075-2H	IBSP133CT095-2H	
	IBSP133SCT055	IBSP133SCT075	IBSP133SCT095	
	IBSP133SCT055-2H	IBSP133SCT075-2H	IBSP133SCT095-2H	
	IBSP133SCT055-3H	IBSP133SCT075-3H	IBSP133SCT095-3H	
	IBSP133SCT055-4H	IBSP133SCT075-4H	IBSP133SCT095-4H	
Electrical	LED Driver	Lifud / BOKE / Tridonic		
	Rated Input Voltage(V)	AC200-240V 50/60Hz		
	Power Factor	>0.9		
	Efficiency	≥82%	≥86%	≥86%
	Rated Input Current	≤0.07A	≤0.14A	≤0.24A
	Full load output voltage	DC30-42V	DC28-42V	DC30-42V
	Rated output current	200mA / 2*200mA / 3*200mA / 4*200mA	450mA / 2*450mA / 3*450mA / 4*450mA	600mA / 2*600mA / 3*600mA / 4*600mA
	Dimming Option	Non-dimma ble / 1-10V / Triac / DALI dimmable / Casambi		
	Power tolerance	±5%		
	Current output tolerance	±5%		
	Protection Class	Class II		
	Short circuit protection Over voltage protection Over temperature protection	PASS		
	THD	<20%@230V		
	Surge	L-N:2KV		
Withstand voltage	I/P-O/P:3.75KV AC			
Mechanical	Finishing color	Black / White		
	Material	Aluminium		
	IP Rating	IP65 on the visible part of the product once installed		
Environmental	Lifetime (hr)	50,000		
	Operating Temp.(°C)	-20°C~45°C		
	Storage Temp.(°C)	-20°C~65°C		

# Installation Procedure

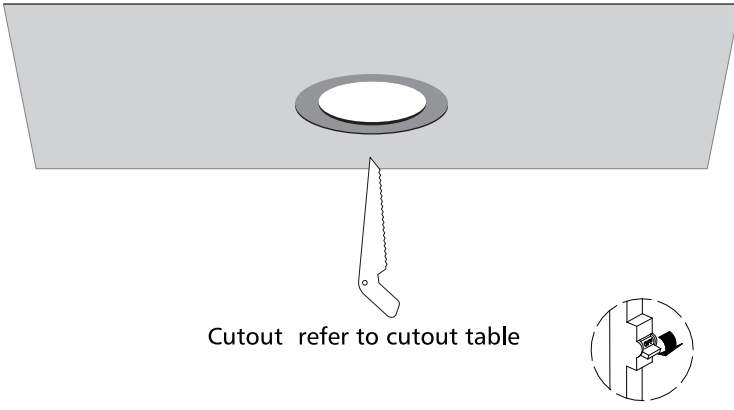
## WARNING

1. Switch off before installation.
2. Switch on only after complete installation and examination of the circuit.
3. Professional electrician for installation and maintenance only.

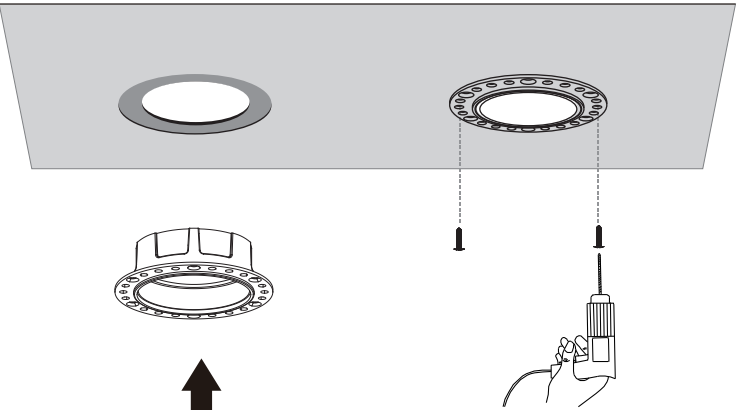


**Turn Off  
Power Supply**

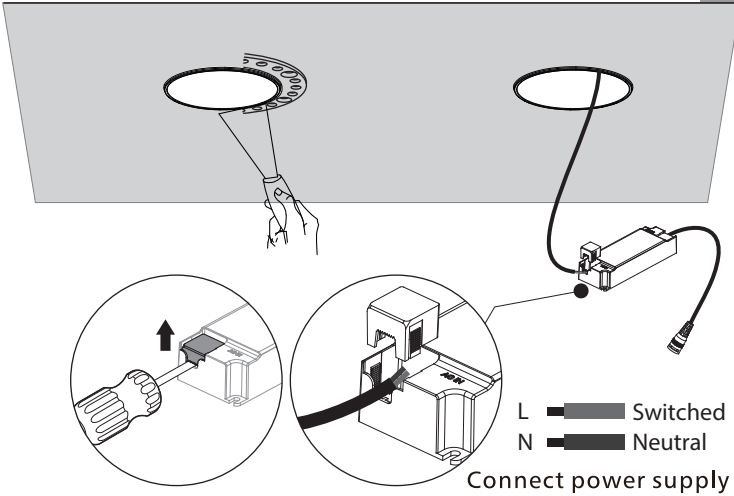
- Turn Off power supply before starting any installation. Read instructions & check you have all the tools & accessories to complete the installation correctly.



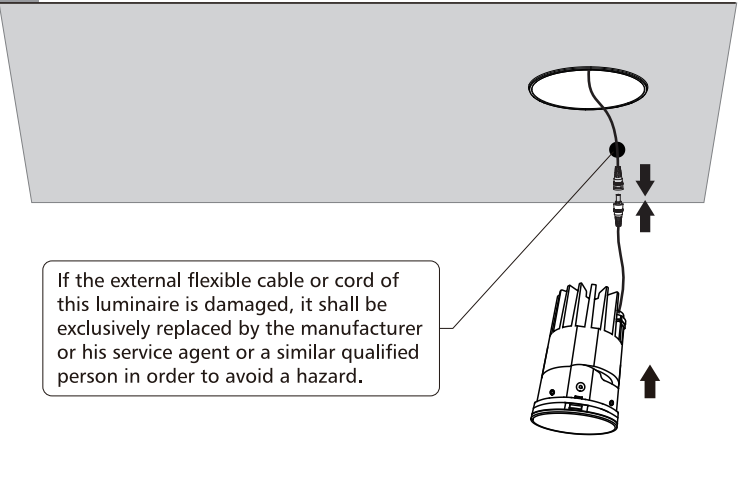
**1**



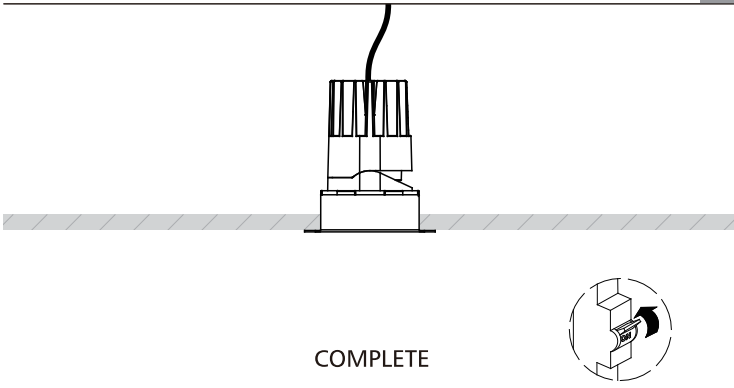
**2**



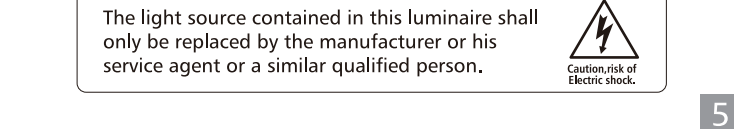
**3**



**4**



**COMPLETE**



**5**

Item	Product Size (mm)	Cutout(mm)
1	Ø75*H85	Ø55
2	Ø95*H110	Ø75
3	Ø115*H130	Ø95
4	L126*W65*H90	L129*Ø70
5	L177*W88*H121	L180*Ø93
6	L222*W108*H142	L225*Ø113

# Installation Procedure

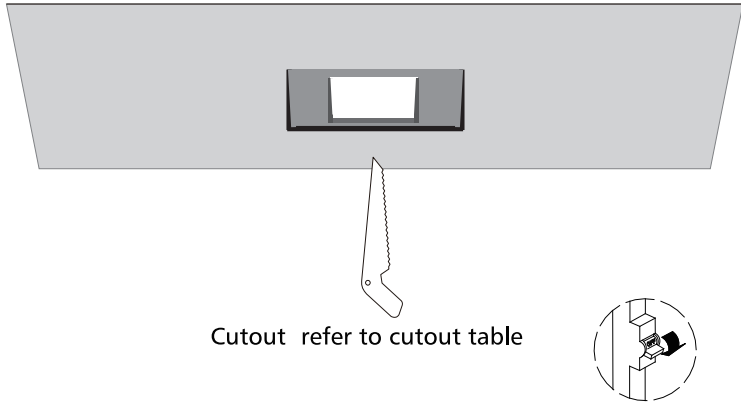
## WARNING

1. Switch off before installation.
2. Switch on only after complete installation and examination of the circuit.
3. Professional electrician for installation and maintenance only.



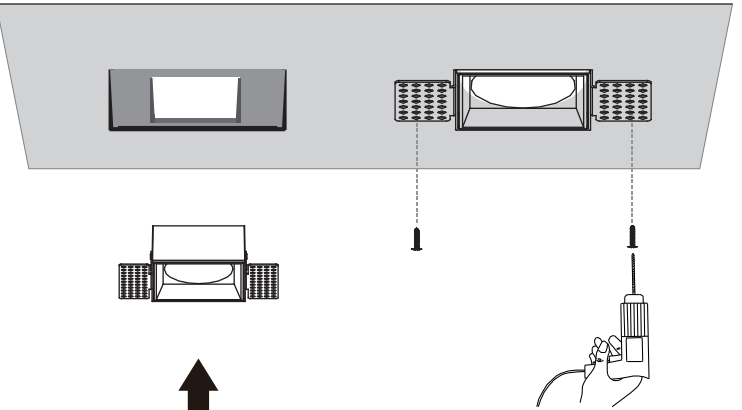
**Turn Off  
Power Supply**

- Turn Off power supply before starting any installation. Read instructions & check you have all the tools & accessories to complete the installation correctly.

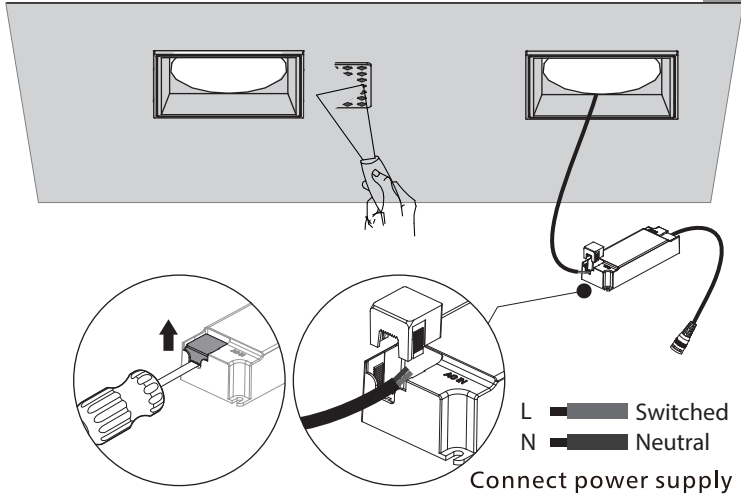


Cutout refer to cutout table

**1**



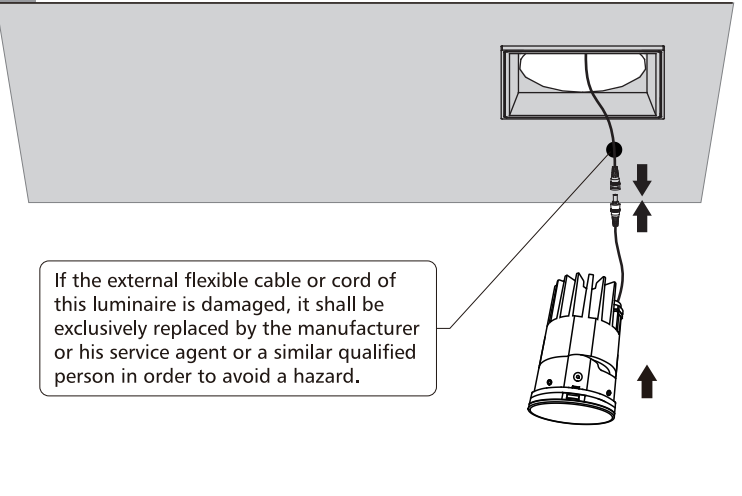
**2**



L — Switched  
N — Neutral

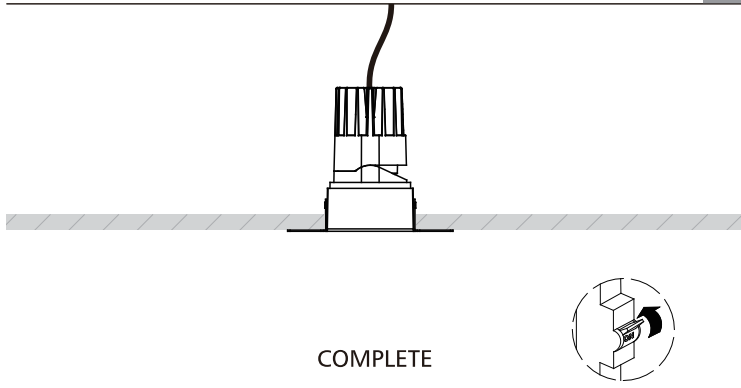
Connect power supply

**3**



If the external flexible cable or cord of this luminaire is damaged, it shall be exclusively replaced by the manufacturer or his service agent or a similar qualified person in order to avoid a hazard.

**4**




COMPLETE

**5**

Item	Product Size (mm)	Cutout(mm)
1	L54*W54*H93	L59*W56
2	L74*W74*H121	L79*W76
3	L94*W94*H146	L99*W96
4	L116*W55*H90	L120*W60
5	L163*W74*H121	L166*W80
6	L207*W94*H142	L210*W100
7	L160*W55*H93	L165*W57
8	L218*W74*H121	L223*W76
9	L279*W94*H146	L285*W96
10	L215*W55*H93	L218*W60
11	L292*W74*H121	L295*W80
12	L372*W94*H146	L375*W100

The light source contained in this luminaire shall only be replaced by the manufacturer or his service agent or a similar qualified person.



Caution, risk of Electric shock.