

IBSP137 Series Asymmetrical Beam Recessed LED Downlight | IP65, Safety Glass

Key Features

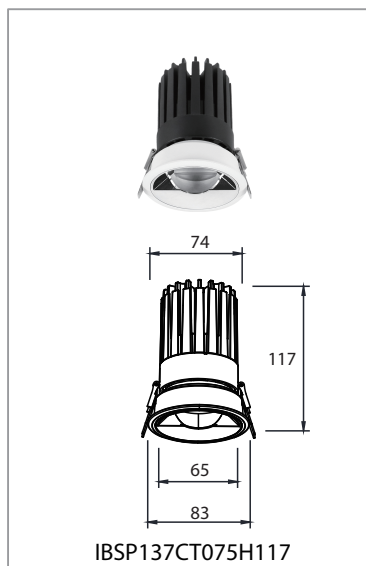
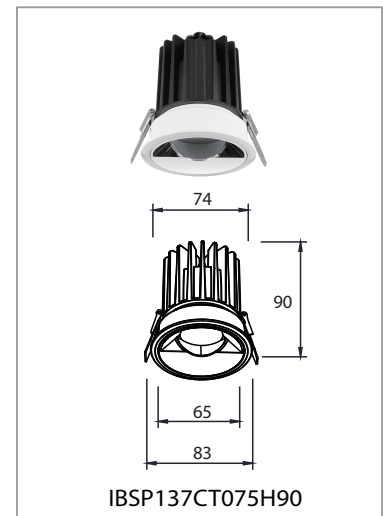
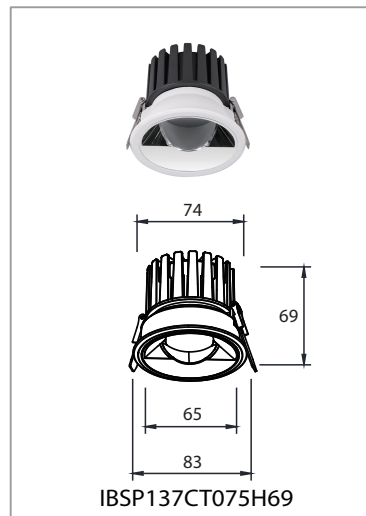
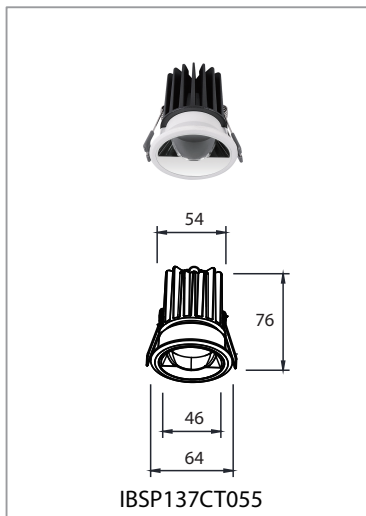
- **Asymmetrical Beam Precision**
Engineered optical design delivers controlled wall-washing and corridor illumination with minimal glare.
- **High Visual Comfort**
Deep-set light source with anti-glare design ensures soft, comfortable lighting for premium interior spaces.
- **Robust IP65 Construction**
Sealed structure with safety glass diffuser, suitable for humid or demanding environments.
- **Premium Thermal Management**
Die-cast aluminum housing with integrated heatsink ensures long lifespan and stable performance.



Applications

Designed for:

- **Hospitality** : Hotels, Lobbies, Guestrooms, Restaurants
- **Office & Corporate Spaces** : Meeting Rooms, Offices
- **Wellness & SPA** : Bathrooms, Spa Areas
- **Commercial & Retail** : Shops, Showrooms
- **Public Areas** : Corridors, Reception Areas



Measurement

Model	Dimension(mm)				Product Weight (Kg)		Package weight (Kg)		Carton Size(cm)	Qty/CTN	20GP (pcs)	40GP (pcs)
	A	B	C	D	N.W/PC	G.W/PC	N.W/CTN	G.W/CTN				
IBSP137CT055	64	76	54	46	/	/	/	/	/	/	/	/
IBSP137CT075H69	83	69	74	65	/	/	/	/	/	/	/	/
IBSP137CT075H90	83	90	74	65	/	/	/	/	/	/	/	/
IBSP137CT075H117	83	117	74	65	/	/	/	/	/	/	/	/

Technical Specifications

Model No.	IBSP137CT055	IBSP137CT075H69	IBSP137CT075H90	IBSP137CT075H117
Size(mm)	Ø64*76	Ø83*69	Ø83*90	Ø83*117
Cutout(mm)	Ø55-58	Ø75-78	Ø75-78	Ø75-78
Watt(W)	8W	10W	15W	25W
Luminous Flux (lm) @4000K	400	400	550	950
Light Source	COB LED			
LED Brand	Bridgelux / Cree (standard) / Hongli (optional)			
SDCM	<5			
CCT(K)	2700K / 3000K / 3500K / 4000K / 5700K / 6500K			
CRI	Ra≥80/90			
Beam Angle (°)	24°			
UGR	-			
LED Driver	Lifud / BOKE / Tridonic			
Rated Input Voltage(V)	AC200-240V 50/60Hz			
Power Factor	>0.9			
Efficiency	≥82%	≥82%	≥82%	≥87%
Rated Input Current	≤0.07A	≤0.08A	≤0.08A	≤0.14A
Full load output voltage	DC 30-40V	DC 30-42V	DC 30-40V	DC 28-42V
Rated output current	200mA	250mA	350mA	600mA
Dimming Option	Non-dimmable / 1-10V / Triac / DALI dimmable / Casambi			
Power tolerance	±5%			
Current output tolerance	±5%			
Protection Class	Class II			
Short circuit protection Over voltage protection Over temperature protection	PASS			
THD	<20%@230V			
Surge	L-N:2KV			
Withstand voltage	I/P-O/P:3.75KV AC			
Finishing color	Black / White			
Material	Aluminium			
IP Rating	IP20; IP65 on the visible part of the product once installed			
Lifetime (hr)	50,000			
Operating Temp.(°C)	-20°C~45°C			
Storage Temp.(°C)	-20°C~65°C			

Installation Procedure

WARNING

1. Switch off before installation.
2. Switch on only after complete installation and examination of the circuit.
3. Professional electrician for installation and maintenance only.



Turn Off power supply before starting any installation. Read instructions & check you have all the tools & accessories to complete the installation correctly.

Cutout refer to cutout table

Item	Product Size (mm)	Cutout(mm)
1	Ø64*76	Ø55-58
2	Ø83*69	Ø75-78
3	Ø83*90	Ø75-78
4	Ø83*117	Ø75-78

L — Switched
N — Neutral


Connect power supply

1 2

If the external flexible cable or cord of this luminaire is damaged, it shall be exclusively replaced by the manufacturer or his service agent or a similar qualified person in order to avoid a hazard.

COMPLETE

The light source contained in this luminaire shall only be replaced by the manufacturer or his service agent or a similar qualified person.



Caution, risk of Electric shock.

3 4