

IBSP104S-3F Series Triple-head Adjustable LED Downlight | IP65, Honeycomb Louver Optional

Key Features

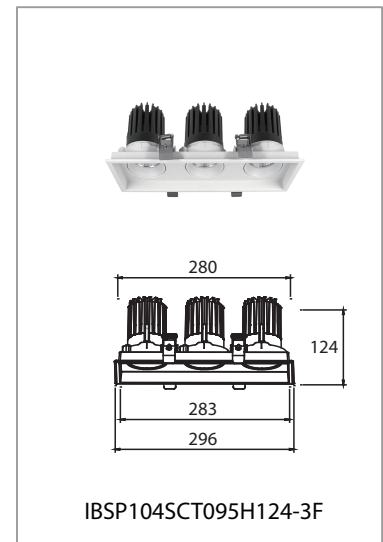
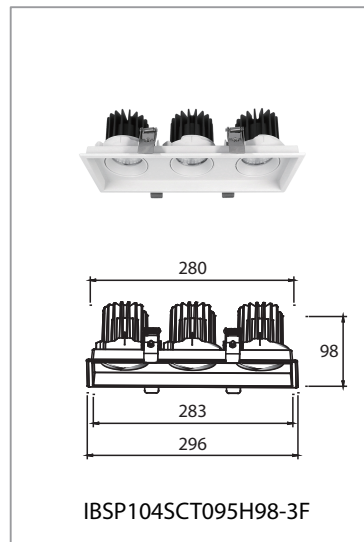
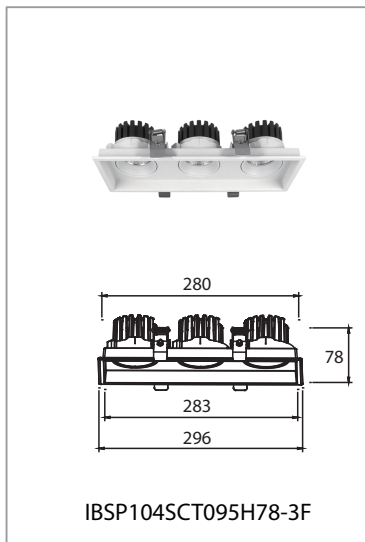
- **Full Directional Flexibility**
355° horizontal rotation and 30° vertical adjustment enable precise and dynamic light positioning.
- **Deep Anti-Glare Design**
Deep trim structure effectively controls glare, ensuring superior visual comfort in high-end environments.
- **IP65 Front Protection**
Sealed front with safety glass diffuser, suitable for humid and demanding interior applications.
- **High Output with Thermal Stability**
Die-cast aluminum housing with efficient heat dissipation ensures consistent performance and long lifespan.



Applications

Designed for:

- **Hospitality** : Lobby, Reception, Guestrooms
- **Retail & Brand Spaces**
- **Galleries & Exhibition Areas**
- **Offices & Conference Rooms**
- **Corridors & Circulation Areas**
- **Accent Lighting for Artwork, Displays, and Architectural Features**



Measurement

Model	Dimension(mm)				Product Weight (Kg)		Package weight (Kg)		Carton Size(cm)	Qty/CTN
	A	B	C	D	N.W/PC	G.W/PC	N.W/CTN	G.W/CTN		
IBSP104SCT095H78-3F	296	78	280	283	/	/	/	/	/	/
IBSP104SCT095H98-3F	296	98	280	283	/	/	/	/	/	/
IBSP104SCT095H124-3F	296	124	280	283	/	/	/	/	/	/

Technical Specifications

Model No.	IBSP104SCT095H78-3F	IBSP104SCT095H98-3F	IBSP104SCT095H124-3F	
Size(mm)	L296*W106*H78	L296*W106*H98	L296*W106*H124	
Cutout(mm)	L285*W95-L290*W98	L285*W95-L290*W98	L285*W95-L290*W98	
Watt(W)	3*10W	3*15W	3*25W	
Optical	Luminous Flux (lm) @4000K	3000	4500	7500
	Light Source	COB LED		
	LED Brand	Bridgelux / Cree (standard) / Hongli (optional)		
	SDCM	<5		
	CCT(K)	2700K / 3000K / 3500K / 4000K / 5700K / 6500K		
	CRI	Ra≥80/90		
	Beam Angle (°)	15° / 24° / 38° / 45° / 60°		
	UGR	<19		
Electrical	LED Driver	Lifud / BOKE / Tridonic		
	Rated Input Voltage(V)	AC200-240V 50/60Hz		
	Power Factor	>0.9		
	Efficiency	≥82%	≥82%	≥87%
	Rated Input Current	≤0.08A	≤0.08A	≤0.14A
	Full load output voltage	DC 30-42V	DC 30-40V	DC 28-42V
	Rated output current	250mA	350mA	600mA
	Dimming Option	Non-dimmable / 1-10V / Triac / DALI dimmable / Casambi		
	Power tolerance	±5%		
	Current output tolerance	±5%		
	Protection Class	Class II		
	Short circuit protection Over voltage protection Over temperature protection	PASS		
	THD	<20%@230V		
Surge	L-N:2KV			
Withstand voltage	I/P-O/P:3.75KV AC			
Mechanical	Finishing color	Black / White		
	Material	Aluminium		
	IP Rating	IP20; IP65 on the visible part of the product once installed		
Environmental	Lifetime (hr)	50,000		
	Operating Temp.(°C)	-20°C~45°C		
	Storage Temp.(°C)	-20°C~65°C		

Installation Procedure

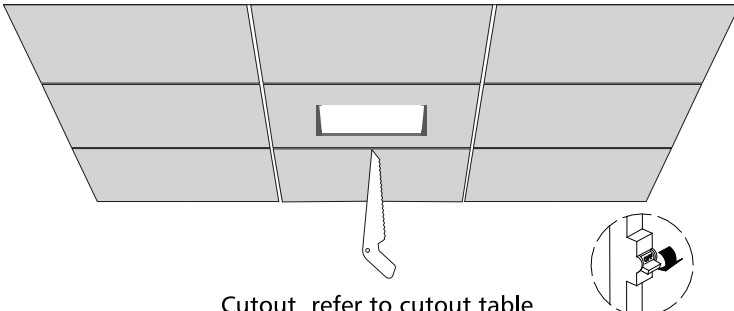
WARNING

1. Switch off before installation.
2. Switch on only after complete installation and examination of the circuit.
3. Professional electrician for installation and maintenance only.



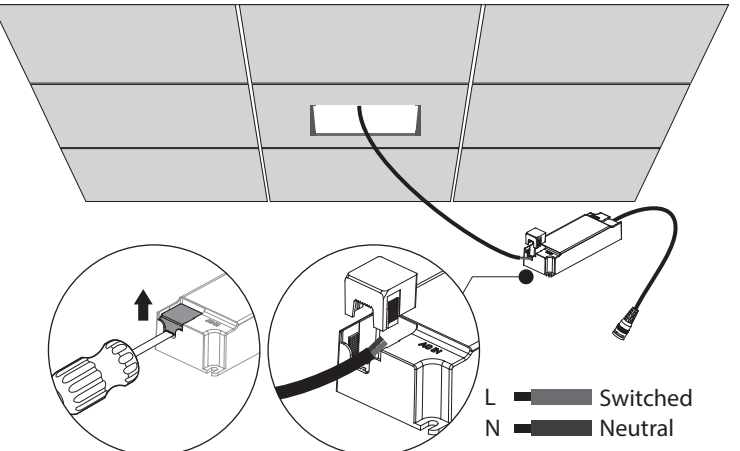
Turn Off
Power Supply



- Turn Off power supply before starting any installation. Read instructions & check you have all the tools & accessories to complete the installation correctly.



Cutout refer to cutout table

Item	Product Size (mm)	Cutout(mm)
1	L296*W106*H78	L285*W95-L290*W98
2	L296*W106*H98	L285*W95-L290*W98
3	L296*W106*H124	L285*W95-L290*W98

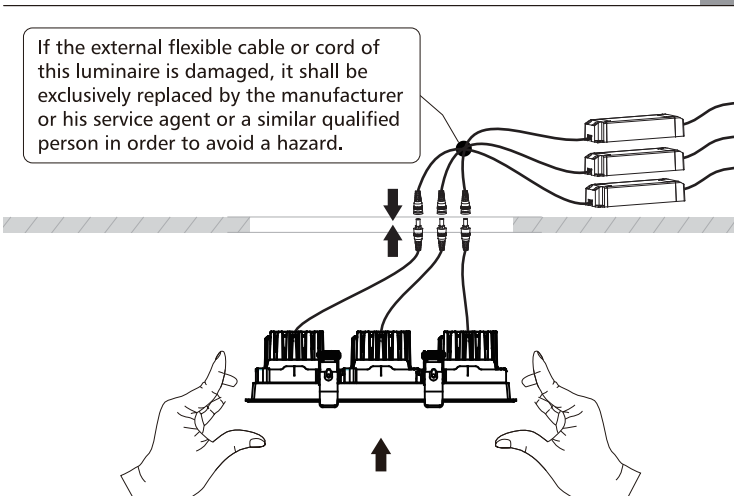


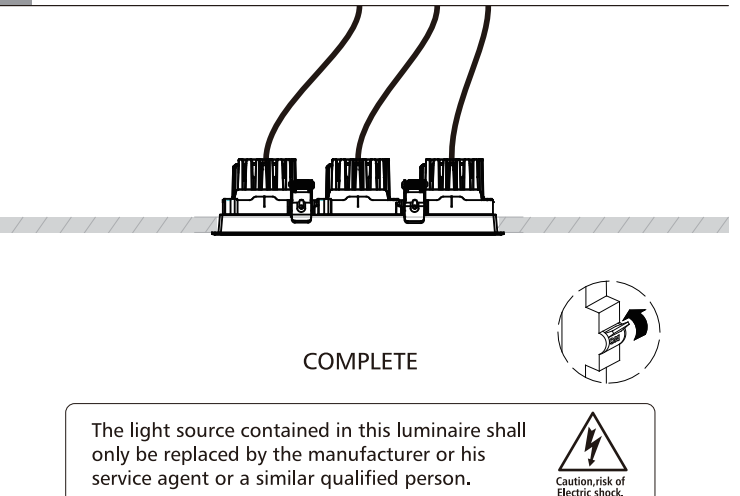
L  Switched
N  Neutral

Connect power supply

1 2


If the external flexible cable or cord of this luminaire is damaged, it shall be exclusively replaced by the manufacturer or his service agent or a similar qualified person in order to avoid a hazard.





COMPLETE

The light source contained in this luminaire shall only be replaced by the manufacturer or his service agent or a similar qualified person.



Caution, risk of
Electric shock.

3 4