

IBDL230 Series Surface Mount LED Downlight Opal Diffuser

Key Features

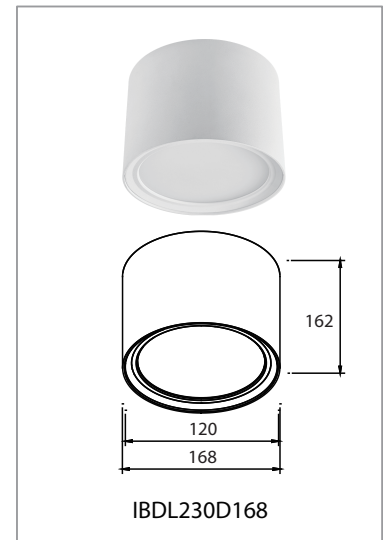
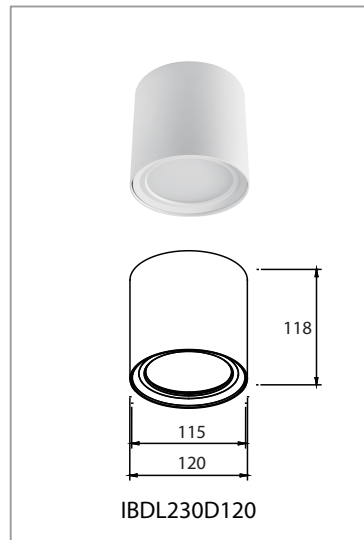
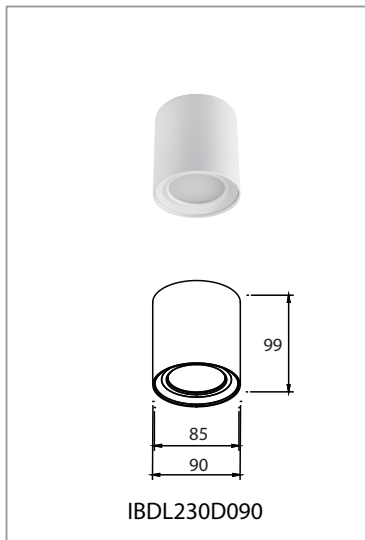
- **Wide Beam with Opal Diffuser**
100° beam combined with opal diffuser delivers soft, uniform illumination for comfortable ambient lighting.
- **High Efficiency Output**
Luminous efficacy over 100 lm/W ensures energy-efficient performance for large-area lighting.
- **Soft Visual Experience**
Diffused light reduces glare and shadows, creating a calm and balanced lighting environment.
- **Surface & Pendant Options**
Available in both surface-mounted and suspended versions to adapt to different ceiling conditions.
- **Clean Architectural Form**
Minimal cylindrical design integrates seamlessly into contemporary interiors.



Applications

Designed for:

- **Hospitality** : Lobbies, corridors, and guestrooms requiring soft and welcoming ambient light.
- **Commercial & Office** : General lighting for offices, meeting rooms, and open-plan workspaces.
- **Residential** : Living and dining areas where uniform, glare-free lighting is preferred.
- **Restaurant** : Ideal for creating a comfortable and evenly lit dining atmosphere.



Measurement

Model	Dimension(mm)			Product Weight (Kg)		Package weight (Kg)		Carton Size(cm)	Qty/CTN
	A	B	C	N.W/PC	G.W/PC	N.W/CTN	G.W/CTN		
IBDL230CT090	90	99	85	/	/	/	/	/	/
IBDL230CT120	120	118	115	/	/	/	/	/	/
IBDL230CT168	168	120	162	/	/	/	/	/	/

Technical Specifications

Model No.	IBDL230CT090	IBDL230CT120	IBDL230CT168
Size(mm)	Ø90*99	Ø120*118	Ø168*120
Watt(W)	15W	30W	50W
Luminous Flux (lm) @4000K	1500	3200	5300
Light Source	SMD LED		
LED Brand	Bridgelux / Hongli (optional)		
SDCM	<5		
CCT(K)	2700K / 3000K / 3500K / 4000K / 5700K / 6500K		
CRI	Ra≥80/90		
Beam Angle (°)	100°		
UGR	<25		
LED Driver	Lifud / BOKE / Tridonic		
Rated Input Voltage(V)	AC220-240V 50/60Hz		
Power Factor	>0.9		
Efficiency	85%	88%	88%
Rated Input Current	≤0.13A	≤0.25A	≤0.25A
Full load output voltage	DC 30-55V	DC 35-55V	DC 25-40V
Rated output current	350mA	750mA	1200mA
Dimming Option	Non-dimmable / 1-10V / Triac / DALI dimmable / Casambi		
Power tolerance	±5%		
Current output tolerance	±5%		
Protection Class	Class I		
Short circuit protection Over voltage protection Over temperature protection	PASS		
THD	≤20%@230V		
Leakage Current	I/P-O/P : 250uA		
Withstand voltage	L/N : 2KV		
Finishing color	Black / White		
Material	Aluminium		
IP Rating	IP65		
Lifetime (hr)	50,000		
Operating Temp.(°C)	-20°C~65°C		
Storage Temp.(°C)	-20°C~85°C		

Installation Procedure

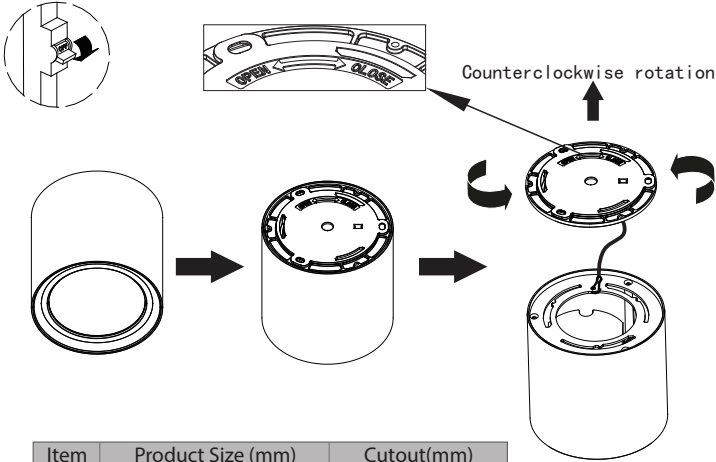
WARNING

1. Switch off before installation.
2. Switch on only after complete installation and examination of the circuit.
3. Professional electrician for installation and maintenance only.



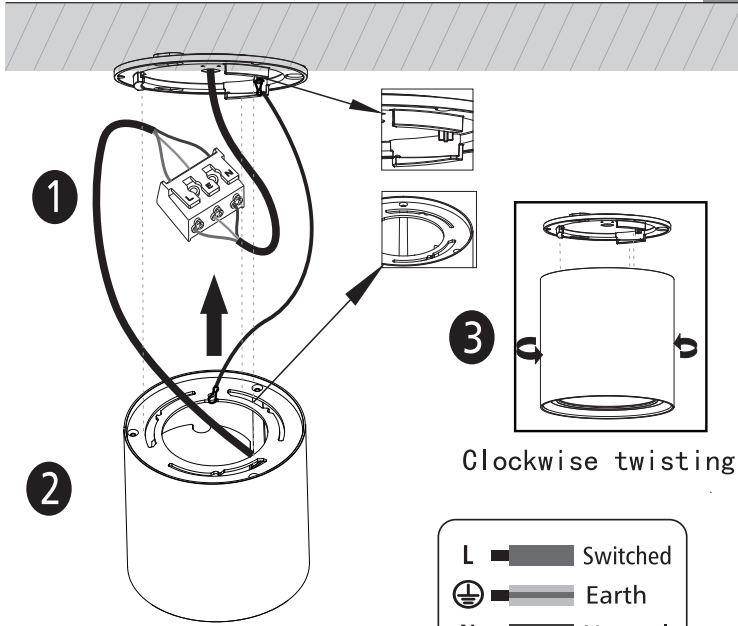
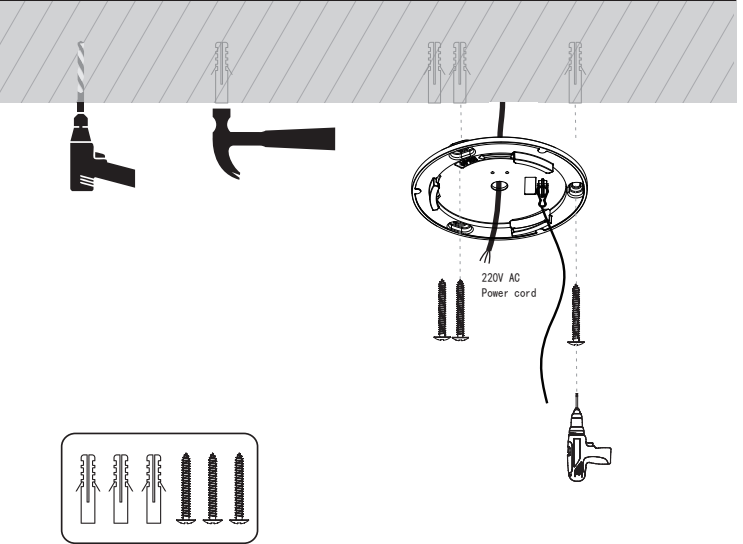
**Turn Off
Power Supply**

Turn Off power supply before starting any installation. Read instructions & check you have all the tools & accessories to complete the installation correctly.

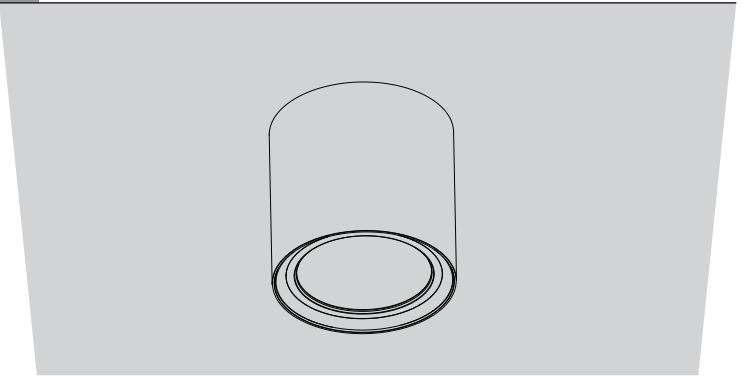


Item	Product Size (mm)	Cutout(mm)
1	Ø90*99	/
2	Ø120*118	/
3	Ø168*120	/

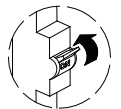
1 2



3 4



COMPLETE



The light source contained in this luminaire shall only be replaced by the manufacturer or his service agent or a similar qualified person.



Caution, risk of
Electric shock.