

IBSP101 Series Deep Trim Recessed LED Downlight | Safety Glass, Honeycomb Louver Optional

Key Features

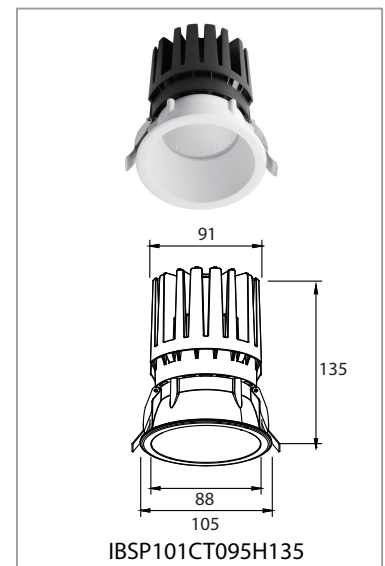
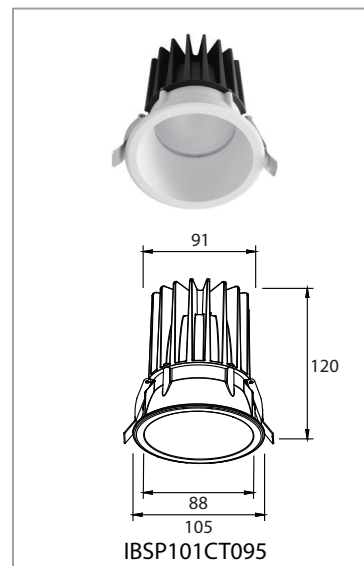
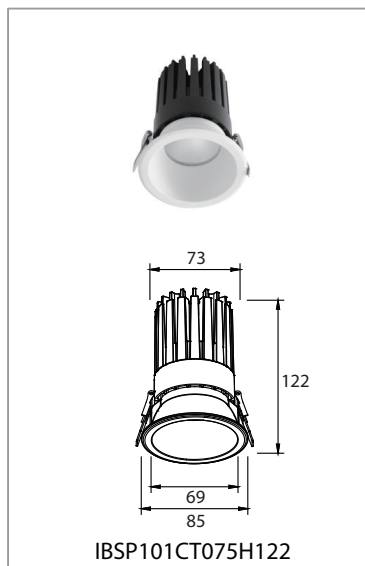
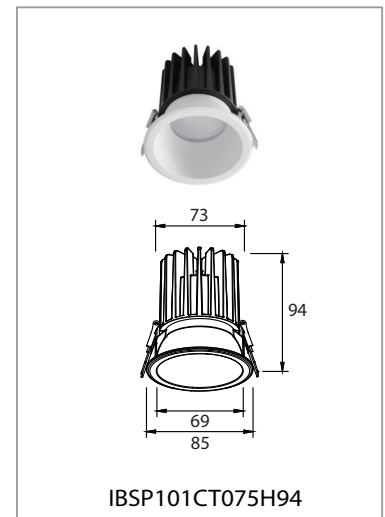
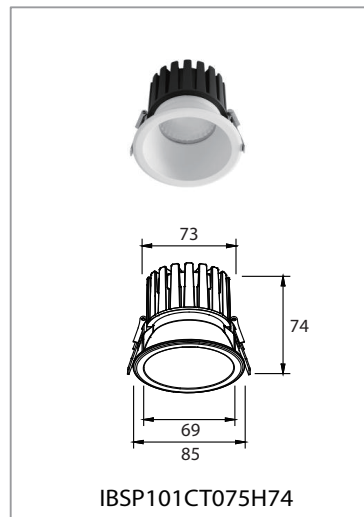
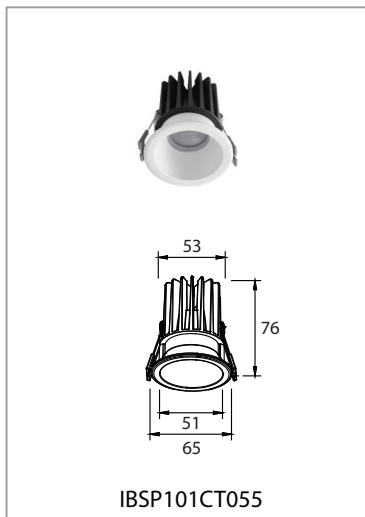
- **Deep Recessed Design for Superior Visual Comfort**
The deep trim structure effectively reduces glare, delivering a more comfortable and refined lighting experience in high-end spaces.
- **Wide Beam Flexibility (15°–60°)**
Comprehensive beam angle options support both precise accent lighting and general illumination, enhancing design versatility.
- **Optional Honeycomb Louver for Glare Control**
Further minimizes glare and improves visual comfort, ideal for premium architectural and hospitality environments.
- **IP65 Front Protection with Safety Glass**
Designed for durability in humid and semi-outdoor conditions, ensuring reliability across demanding applications.
- **Broad Power Range (8W–40W)**
Flexible lumen packages accommodate various ceiling heights and lighting intensities within one product family.



Applications

Designed for:

- **Hospitality** : Hotels, Lobbies, Guestrooms, Restaurants
- **Office & Corporate Spaces** : Meeting Rooms, Offices
- **Wellness & SPA** : Bathrooms, Spa Areas
- **Commercial & Retail** : Shops, Showrooms
- **Public Areas** : Corridors, Reception Areas



Measurement

Model	Dimension(mm)				Product Weight (Kg)		Package weight (Kg)		Carton Size(cm)	Qty/CTN
	A	B	C	D	N.W/PC	G.W/PC	N.W/CTN	G.W/CTN		
IBSP101CT055	65	76	53	51	0.23	0.27	11.5	14.2	L54*W22*H42	50
IBSP101CT075H74	85	74	73	69	0.30	0.35	15	18.2	L54*W22*H42	50
IBSP101CT075H94	85	94	73	69	0.34	0.39	17	20.3	L62*W26*H48	50
IBSP101CT075H122	85	122	73	69	0.52	0.58	15.6	18.2	L50*W38*H29	30
IBSP101CT095	105	120	91	88	0.55	0.6	8.8	10.3	L52*W27*H28	16
IBSP101CT095H135	105	135	91	88	0.87	0.92	20.9	22.9	L58*W26*H48	24

Technical Specifications

Model No.	IBSP101CT055	IBSP101CT075H74	IBSP101CT075H94	IBSP101CT075H122	IBSP101CT095	IBSP101CT095H135
Size(mm)	Ø65*76	Ø85*74	Ø85*94	Ø85*122	Ø105*120	Ø105*135
Cutout(mm)	Ø55-58	Ø75-78	Ø75-78	Ø75-78	Ø95-98	Ø95-98
Watt(W)	8W	10W	15W	25W	28W	40W
Luminous Flux (lm) @4000K	800	1000	1500	2500	2800	4000
Light Source	COB LED					
LED Brand	Bridgelux / Cree (standard) / Hongli (optional)					
SDCM	<5					
CCT(K)	2700K / 3000K / 3500K / 4000K / 5700K / 6500K					
CRI	Ra≥80/90					
Beam Angle (°)	15° / 24° / 36° / 50°	15° / 24° / 38° / 45° / 60°				
UGR	<19					
LED Driver	Lifud / BOKE / Tridonic					
Rated Input Voltage(V)	AC200-240V 50/60Hz					
Power Factor	>0.9					
Efficiency	≥82%	≥82%	≥82%	≥87%	≥87%	≥87%
Rated Input Current	≤0.07A	≤0.08A	≤0.08A	≤0.14A	≤0.24A	≤0.24A
Full load output voltage	DC 30-40V	DC 30-42V	DC 30-40V	DC 28-42V	DC 24-42V	DC 24-42V
Rated output current	200mA	250mA	350mA	600mA	700mA	950mA
Dimming Option	Non-dimmable / 1-10V / Triac / DALI dimmable / Casambi					
Power tolerance	±5%					
Current output tolerance	±5%					
Protection Class	Class II					
Short circuit protection Over voltage protection Over temperature protection	PASS					
THD	<20%@230V					
Surge	L-N:2KV					
Withstand voltage	I/P-O/P:3.75KV AC					
Finishing color	Black / White					
Material	Aluminium					
IP Rating	IP20; IP65 on the visible part of the product once installed					
Lifetime (hr)	50,000					
Operating Temp.(°C)	-20°C~45°C					
Storage Temp.(°C)	-20°C~65°C					

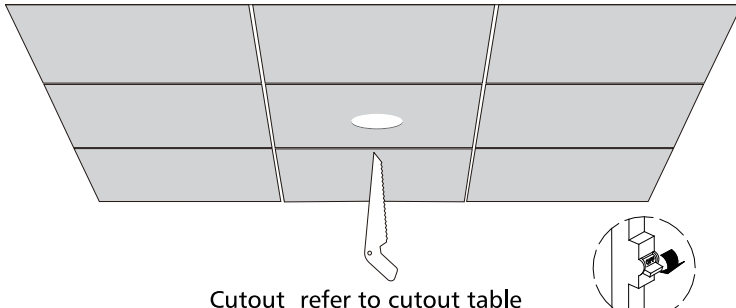
Installation Procedure

WARNING

1. Switch off before installation.
2. Switch on only after complete installation and examination of the circuit.
3. Professional electrician for installation and maintenance only.

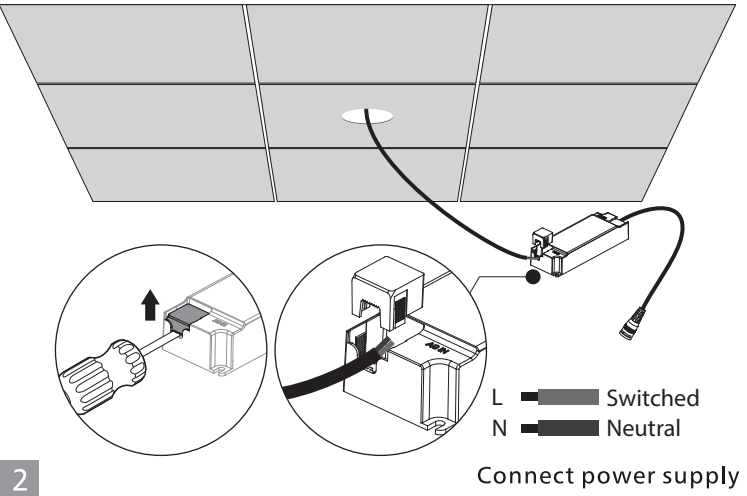




■ Turn Off power supply before starting any installation. Read instructions & check you have all the tools & accessories to complete the installation correctly.



Cutout refer to cutout table

Item	Product Size (mm)	Cutout(mm)
1	Ø65*76	Ø55-58
2	Ø85*74	Ø75-78
3	Ø85*94	Ø75-78
4	Ø85*122	Ø75-78
5	Ø105*120	Ø95-98
6	Ø105*135	Ø95-98

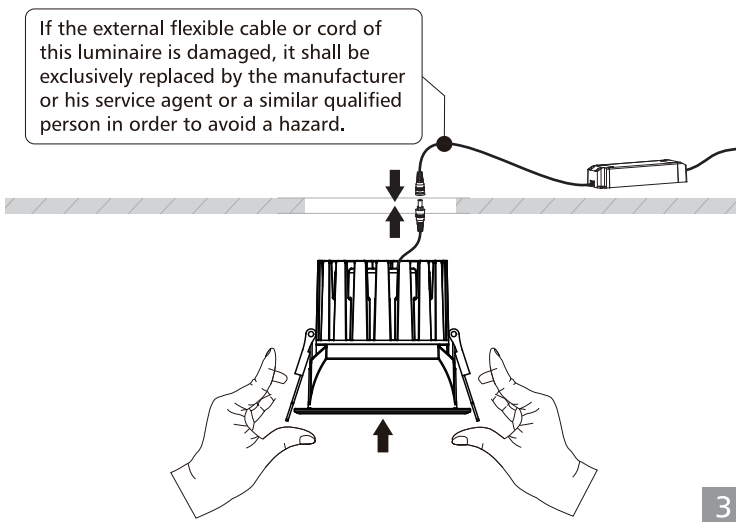


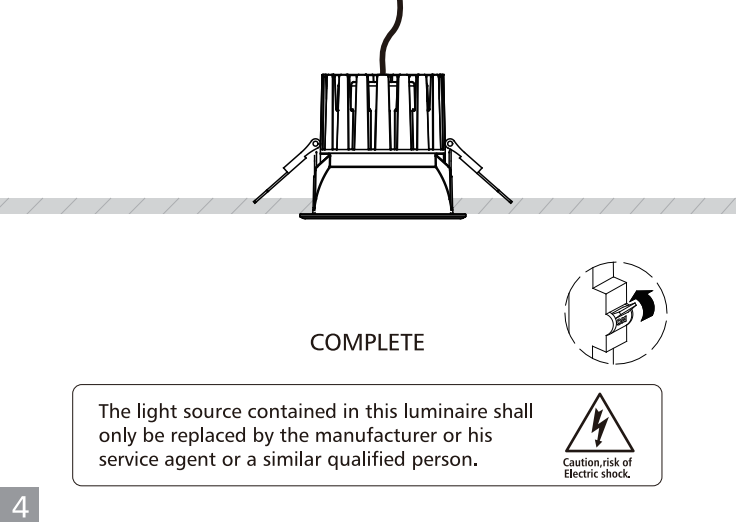
L  Switched
N  Neutral

Connect power supply

1 2


If the external flexible cable or cord of this luminaire is damaged, it shall be exclusively replaced by the manufacturer or his service agent or a similar qualified person in order to avoid a hazard.





COMPLETE

The light source contained in this luminaire shall only be replaced by the manufacturer or his service agent or a similar qualified person.



Caution, risk of
Electric shock.

3 4