

IBSP221 Series

Mini Recessed LED Downlight | White/Black Trim

Reflector Changeable, Curve Fixed, Pin-hole

Key Features

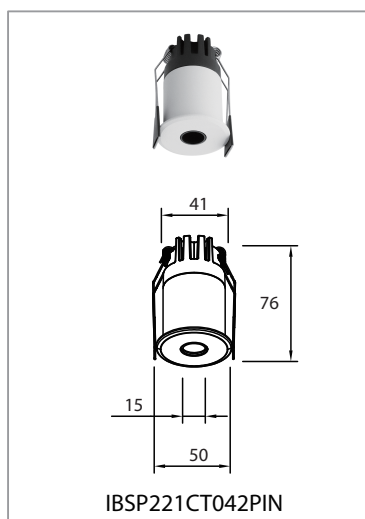
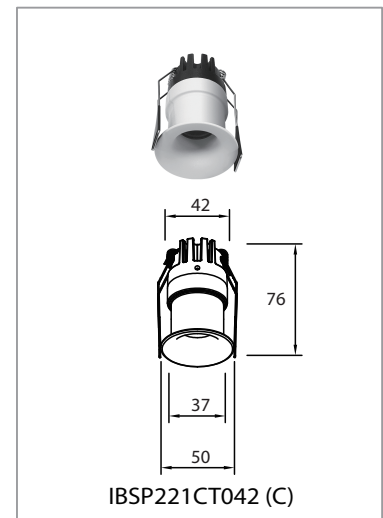
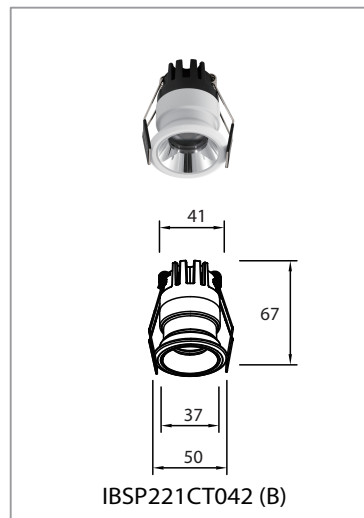
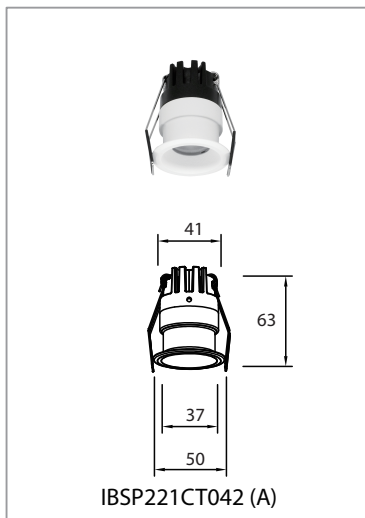
- **Miniature Design for Subtle Integration**
Compact form factor with small cutout (Ø42mm) enables discreet installation, ideal for refined architectural details.
- **Pinhole Light Effect for Precise Accent Lighting**
Narrow light aperture creates a clean, focused beam, perfect for highlighting objects with minimal visual intrusion.
- **Flexible Beam Options (15°–50°)**
Multiple beam angles allow accurate control for accent and display lighting applications.
- **Interchangeable Reflector Design**
Reflector can be changed to achieve different lighting effects, supporting design flexibility and customization.
- **Clean Curve Trim with Fixed Structure**
Smooth curved trim ensures elegant ceiling integration while maintaining a stable and reliable installation.



Applications

Designed for:

- **Retail & Display** : Display Cases, Showrooms
- **Residential** : High-End Interiors
- **Museum & Exhibition Spaces**
- **Hospitality** : Hotels, Restaurants
- **Public Areas** : Corridors, Galleries



Measurement

Model	Dimension(mm)				Product Weight (Kg)		Package weight (Kg)		Carton Size(cm)	Qty/CTN	20GP (pcs)	40GP (pcs)
	A	B	C	D	N.W/PC	G.W/PC	N.W/CTN	G.W/CTN				
IBSP221CT042 (A)	50	63	41	37	/	/	/	/	/	/	/	/
IBSP221CT042 (B)	50	67	41	37	/	/	/	/	/	/	/	/
IBSP221CT042 (C)	50	76	42	37	/	/	/	/	/	/	/	/
IBSP221CT042PIN	50	76	41	15	/	/	/	/	/	/	/	/

Technical Specifications

Model No.	IBSP221CT042(A)	IBSP221CT042(B)	IBSP221CT042(C)	IBSP221CT042PIN
Size(mm)	Ø50*63	Ø50*67	Ø50*76	Ø50*76
Cutout(mm)	Ø42-45	Ø42-45	Ø42-45	Ø42-45
Watt(W)	7W	7W	7W	7W
Luminous Flux (lm) @4000K	600	600	500	300
Light Source	COB LED			
LED Brand	Bridgelux / Cree (standard) / Hongli (optional)			
SDCM	<5			
CCT(K)	2700K / 3000K / 3500K / 4000K / 5700K / 6500K			
CRI	Ra≥80/90			
Beam Angle (°)	15° / 24° / 36° / 50°			24° / 36°
UGR	<19			
LED Driver	Lifud / BOKE / Tridonic			
Rated Input Voltage(V)	AC200-240V 50/60Hz			
Power Factor	>0.9			
Efficiency	≥80%	≥80%	≥80%	≥80%
Rated Input Current	≤0.065A	≤0.065A	≤0.065A	≤0.065A
Full load output voltage	DC 28-42V	DC 28-42V	DC 28-42V	DC 28-42V
Rated output current	150mA	150mA	150mA	150mA
Dimming Option	Non-dimmable / 1-10V / Triac / DALI dimmable / Casambi			
Power tolerance	±5%			
Current output tolerance	±5%			
Protection Class	Class II			
Short circuit protection Over voltage protection Over temperature protection	PASS			
THD	<20%@230V			
Surge	L-N:2KV			
Withstand voltage	I/P-O/P:3.75KV AC			
Finishing color	Black / White			
Material	Aluminium			
IP Rating	IP20; IP65 on the visible part of the product once installed			
Lifetime (hr)	50,000			
Operating Temp.(°C)	-20°C~45°C			
Storage Temp.(°C)	-20°C~65°C			

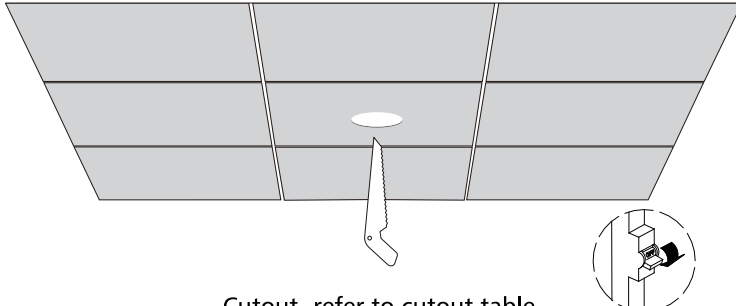
Installation Procedure

WARNING

1. Switch off before installation.
2. Switch on only after complete installation and examination of the circuit.
3. Professional electrician for installation and maintenance only.

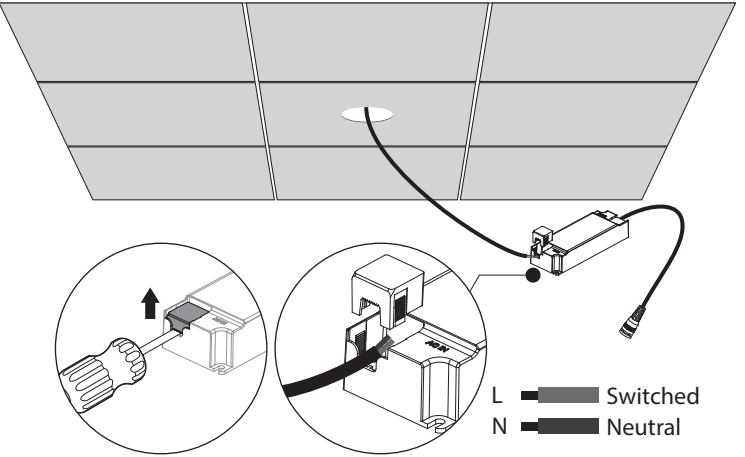


- Turn Off power supply before starting any installation. Read instructions & check you have all the tools & accessories to complete the installation correctly.



Cutout refer to cutout table

Item	Product Size (mm)	Cutout(mm)
1	Ø50*63	Ø42-45
2	Ø50*67	Ø42-45
3	Ø50*76	Ø42-45
4	Ø50*76	Ø42-45

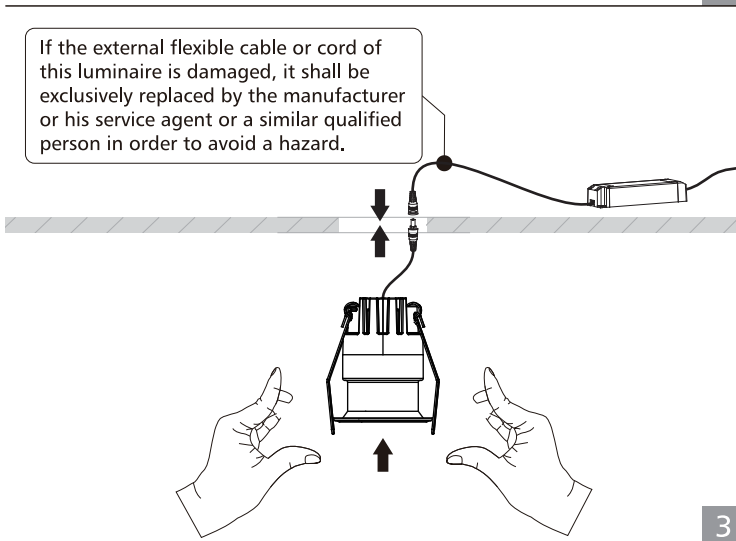


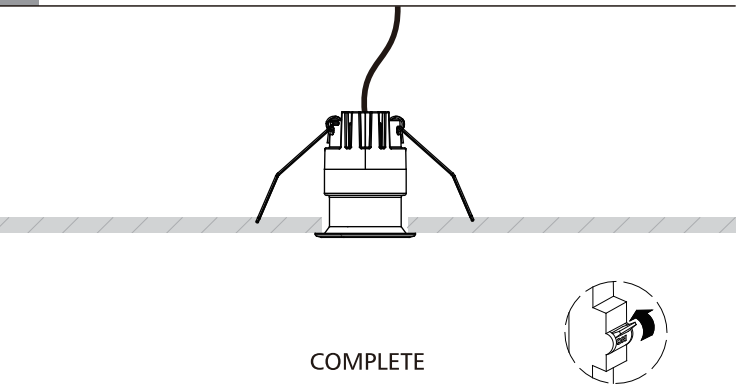
Connect power supply

L — Switched
N — Neutral

1 2


If the external flexible cable or cord of this luminaire is damaged, it shall be exclusively replaced by the manufacturer or his service agent or a similar qualified person in order to avoid a hazard.





COMPLETE

The light source contained in this luminaire shall only be replaced by the manufacturer or his service agent or a similar qualified person.



Caution: risk of Electric shock.

3 4